

# Series LEM



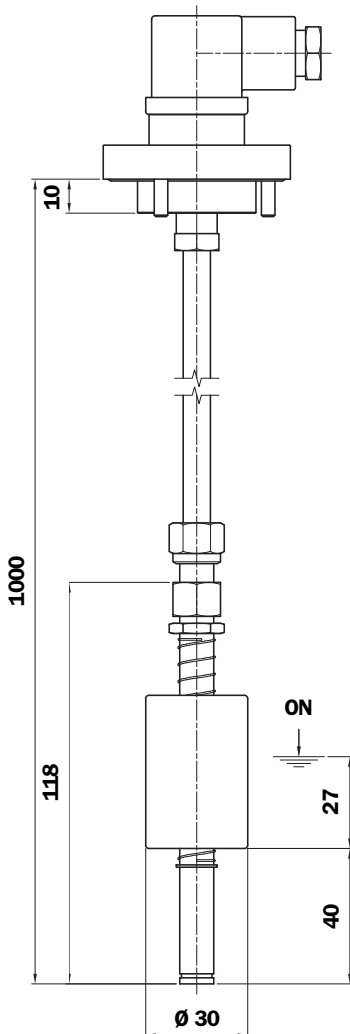
## LEM (Materials)

- Flange/Threaded body: Aluminium
- Tube: Brass
- Float: Nylon foam
- O-Ring: NBR
- Circlip: Phosphor bronze
- Float contact: N.C. reed (N.O. on request)
- Thermostat contact: N.O. (N.C. on request)
- Protection rating: IP65
- Max switching capacity: 80 W
- Max switching current: 1 A
- Max switching voltage: 250 Vac
- Fluid specific gravity: > 0.75

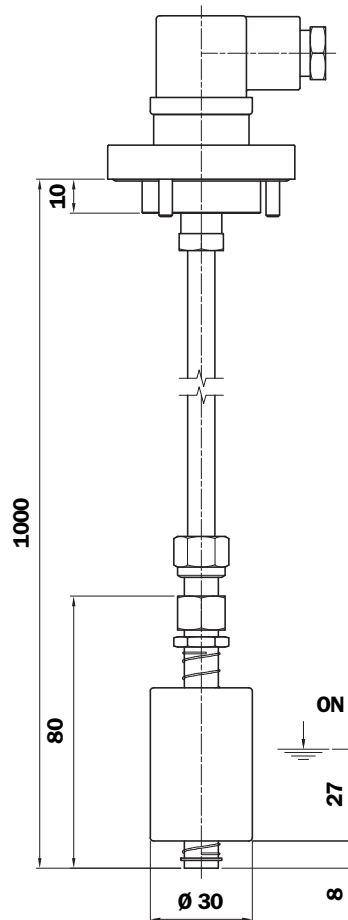
## Weight

406 gr

**LEM  
With thermostat**



**LEM  
Without thermostat**



## Wiring

Float only:

- Use Connectors 1 and 2 (both WHITE wires)

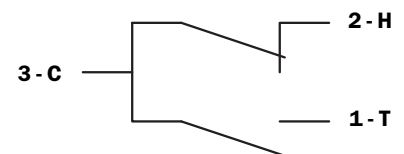
Float + Thermostat:

- 1 Thermostat: BROWN wire
- 2 Float: WHITE wire
- 3 Common: ORANGE wire

### LEM 1 Float + Without Thermostat



### LEM 1 Float + With Thermostat



To invert the contact status from N.O. to N.C. and vice versa, simply invert the float.

1



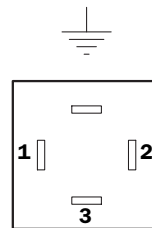
Cut the tube to the required length.

2



Secure the level indicator to the tube by means of the ferrule system (14 mm wrench), routing the connection wires out of the part opposite to the fixing.

3



Wire the connector.

Secure the connector support to the tube by mean of the ferrule system (14 mm wrench).

## Ordering information LEM

### Electrical level indicator

# LEM

Example: LEM

1	2	3	4	5	6	7	8
<input type="checkbox"/>	<input type="checkbox"/>	<input type="checkbox"/>	<input type="checkbox"/>	<input type="checkbox"/>	<input type="checkbox"/>	<input type="checkbox"/>	<input type="checkbox"/>
A	A	1	A	F	S	70	P01

#### 1 - Tube material

A Brass

#### 2 - Float material

A Nylon foam

#### 3 - Contact

1 N.C.

#### 4 - Seal

A NBR

#### 5 - Type of fixing

F 3 holes flange

#### 6 - Electrical connection

S DIN 43650 connector

#### 7 - Thermostat trip temperature

00 Without thermostat

60 60°C - N.O.

#### 8 - Option

P01 MP Filtri standard

Pxx On request