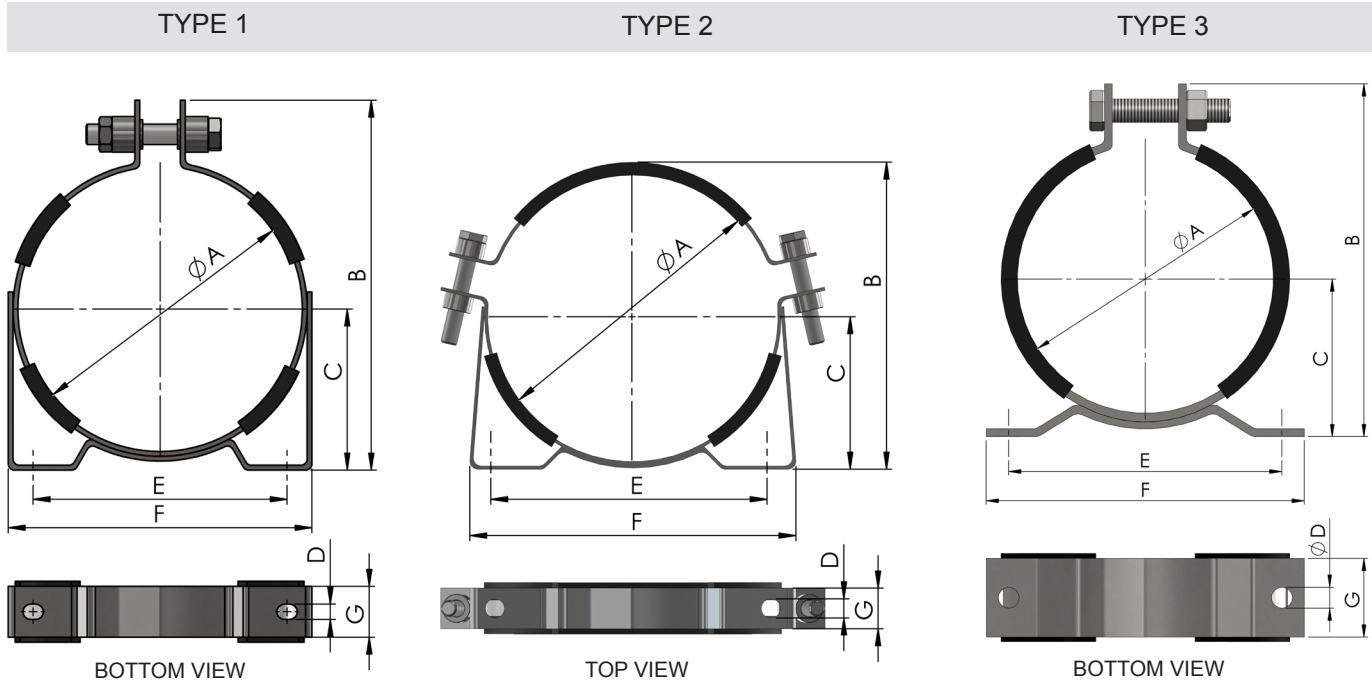


# COLLARS

## PISTON ACCUMULATORS - MOUNTING



MOUNTING COLLARS FOR PISTON ACCUMULATORS										
DESCRIPTION	TYPE	PART NUMBER ZINC PLATED	PART NUMBER STAINLESS	DIMENSIONS (IN.)						
				A	B	C	D	E	F	G
2.5" Bore 10000 PSI Collar	3	AI-CLR-400	AI-CLR-400-SS	4.1	5.6	2.5	0.3	4.3	5.0	1.3
3" Bore 3000 PSI Collar	1	AI-CLR-350	AI-CLR-350-SS	3.5	4.4	2.1	0.4	3.2	5.1	1.2
4" Bore 6000 PSI Collar	1	AI-CLR-500	AI-CLR-500-SS	5.0	7.0	3.0	0.4	5.4	6.8	1.3
6" Bore 3000 PSI Collar	2	AI-CLR-650	AI-CLR-650-SS	6.5	7.5	3.6	0.4	5.8	7.2	1.2
7" Bore 6000 PSI Collar	2	AI-S-511	AI-S-511-SS	8.9	9.4	4.7	0.6	8.5	10.0	1.3
8" Bore 4000 PSI Collar	2	AI-S6-511	AI-S6-511-SS	9.4	10.3	5.3	0.3	8.5	10.4	1.5

Mounting collars are available in increments of 1/4" from 3" OD to 20" OD (AI-CLR-300 through AI-CLR-2000). Please contact us for more information.

Mounting collars are sold in kit form, including the appropriate adjustment bolts and rubber cushions. Mounting bolts are not included. Stainless collars are 300 series stainless.

These collars are mounting fasteners only and are not intended to support the entire weight of an accumulator. Contact us for specifications.