

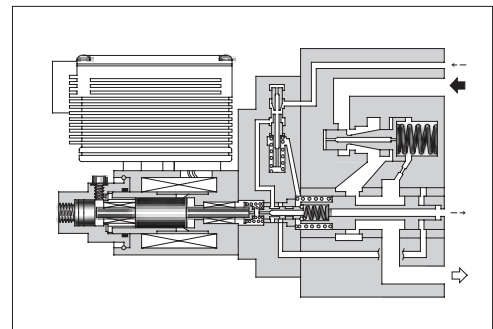
■ Proportional Electro-Hydraulic Flow Control (and Check) Valves

The system flow rate can be controlled remotely as desired by regulating input voltage. Further, since pressure and temperature compensation functions are provided, the preselected flow rate is not affected by pressure (load) or temperature (fluid viscosity).



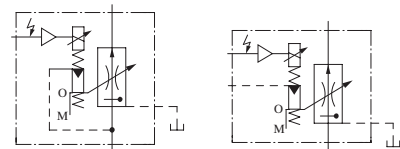
■ Specifications

| Model Numbers | EHF*G-03- 60 125 | EHF*G-06-250 |
|--|--|---------------------|
| Description | | |
| Max. Operating Pres. MPa (PSI) | 20.6 (3000) | 24.5 (3550) |
| Max. Metred Flow L/min (U.S.GPM) | 60: 60 (15.8) 125: 125 (33) | 250 (66) |
| Min. Metred Flow L/min (U.S.GPM) | 1 (.26) | 2.5 (.66) |
| Min. Differential Pressure *1 MPa (PSI) | 1.0 (145) | 1.0 (145) |
| Free Flow L/min (U.S.GPM) (Only with Check Valve) | 130 (34.3) | 280 (73.9) |
| Pilot Flow L/min (U.S.GPM) | at Normal 0.5 (.13) at Transition 2.6 (.69) | 1 (.26) 4 (1.06) |
| Min. Pilot Pressure MPa (PSI) | 1.0 (145) | 1.5 (215) |
| Frequency Response | 12 Hz (-90 degree) | |
| Hysteresis | 3% or less | |
| Repeatability | 1% *2 or less | |
| Coil Resistance | 10 Ω | |
| Supply Electric Power | 24 V DC (21 to 28 V DC Included Ripple) | |
| Power Input (Max.) | 28 W | |
| Input signal | Max. Metred Flow / 5V DC | |
| Input Impedance | 10 kΩ | |
| Ambient Temperature | 0 - 50°C (32 - 122°F) (With Circulated Air) | |



Graphic Symbols

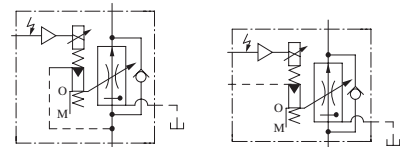
● EHF



Internal Pilot

External Pilot

● EHF



Internal Pilot

External Pilot

- ★1. Minimum differential pressure means fine pressure compensation at inlet and outlet port.
- ★2. The repeatability of the valve is obtained by having it tested independently on the conditions similar to its original testing.

■ Model Number Designation

| F- | EHF | G | -03 | -60 | -E | -50 |
|--|---|---------------------------------|------------|--|--------------------------------|---------------|
| Special Seals | Series Number | Type of Mounting | Valve Size | Max. Metred Flow L/min (U.S.GPM) | Pilot Connection | Design Number |
| F: Special Seals for Phosphate Ester Type Fluid (Omit if not required) | EHF: Proportional Electro-Hydraulic Flow Control Valve EHFC: Proportional Electro-Hydraulic Flow Control and Check Valve | G: Sub-plate Mounting | 03 | 60: 60 (15.8) 125: 125 (33) | None: Internal Pilot | 50 |
| | | | 06 | 250: 250 (66) | E: External Pilot | 50 |