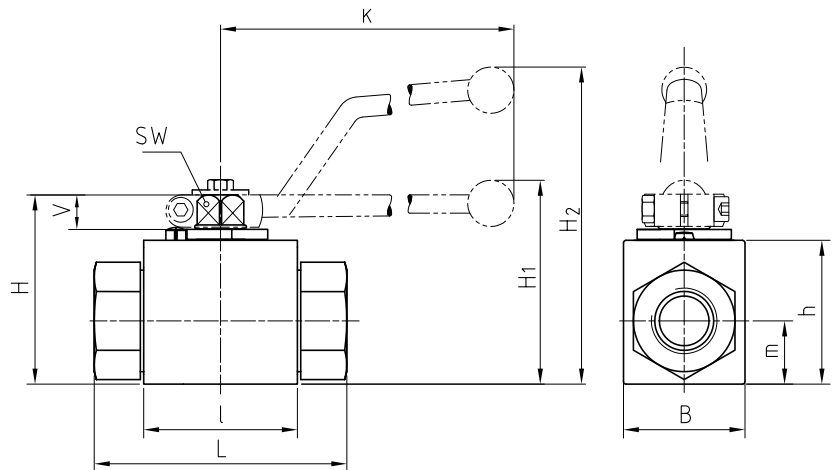
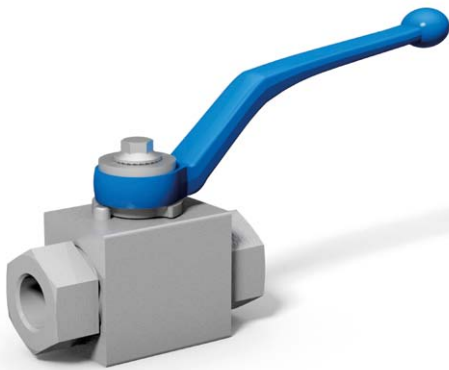


Ball valve for paints and lacquers Steel

BKH



AVAILABLE SIZES

DN4 - DN25 (1/8" to 1")

CONNECTIONS

DIN ISO 228 Female thread, ANSI B1.20.1 NPT Female thread, DIN 2353/ISO 8434-1 Light / Heavy series, SAE J 514/ISO/DIS11926-1 Female thread, others on request

ACCESSORIES ON REQUEST

- Locking devices page 222 - 225
- Actuators 220 - 221
- Mounting holes 17
- Position switches 228 - 229
- Combinations 184 - 186
- Detent on request

MATERIAL CODE DESCRIPTION

Materials	11H8	12f8	1178
Body	Steel	Steel	Steel
Ball	Steel	Stainless Steel	Steel
Stem	Steel	Steel	Steel
Ball seats	POM	Cast iron	PTFE Teflon ⁽¹⁾
O-rings	FPM	FPM	FPM
Tmin / Tmax	-20°C / 100°C	-20°C / 100°C	-20°C / 120°C

GENERAL DIMENSIONS

Type	l	B	H	h	m	V	SW	K	H ₁	H ₂	Lever
BKH-DN4	40	26	47	33	13,5	11	9	115	-	82	Zn
BKH-DN6	40	26	47	33	13,5	11	9	115	-	82	Zn
BKH-DN8	40	26	47	33	13,5	11	9	115	-	82	Zn
BKH-DN10	43	32	52	38	17,5	11	9	115	-	86	Zn
BKH-DN13	48	35	54	40	19	11	9	115	-	89	Zn
BKH-DN16	48	38	63	46	19	13	12	160	-	106	Al
BKH-DN20	62	49	75	57	24,5	14	14	200	79	-	Zn
BKH-DN25	66	58	83	65	29,5	14	14	200	87	-	Zn
BKH-DN25/32	66	58	83	65	29,5	14	14	200	87	-	Zn
BKH-DN25/40	66	58	83	65	29,5	14	14	200	87	-	Zn

⁽¹⁾ Please consider pressure reduction at higher temperatures (see technical annex page 255)

Application-specific

Ball valve for paints and lacquers Steel

BKH



CONNECTION TYPE	DIMENSIONS						ORDER CODE PER MATERIAL COMBINATION					
	Type	LW	L	i	d	Weight [Kg]	PN [bar]	11H8	12f8	PN [bar]	1178	
	BKH-DN4-G1/8	5	69	10	G1/8	0,41	500	39863*	39987	315	39981*	
	BKH-DN6-G1/4	6	69	14	G1/4	0,40	500	30437*	39988	315	33986*	
	BKH-DN10-G3/8	10	72	14	G3/8	0,54	500	39864*	13338	315	32917*	
	BKH-DN13-G1/2	13	83	16,3	G1/2	0,65	500	39879*	15799	250	29580*	
	BKH-DN16-G5/8	15	83	16	G5/8	0,70	400	39895*	39991	175	39984*	
	BKH-DN20-G3/4	20	95	18	G3/4	1,50	350	39978*	29260	175	21585*	
	BKH-DN25-G1	25	113	20	G1	2,20	350	39979*	35557	175	22765*	
	BKH-DN25/32-G1 1/4	25	120	22	G1 1/4	2,30	350	39980*	39992	175	39985*	
	BKH-DN25/40-G1 1/2	25	130	24	G1 1/2	2,60	350	31323*	39993	175	39986*	
	Type	LW	L	i	d	Weight [Kg]	PN [bar]	11H8	12f8	PN [bar]	1178	
	BKH-DN4-1/8"NPT	5	69	10,5	1/8"NPT	0,30	500	39994*	40007	315	40002*	
	BKH-DN6-1/4"NPT	6	69	13,7	1/4"NPT	0,40	500	39995*	23028	315	24676*	
	BKH-DN10-3/8"NPT	10	72	13,5	3/8"NPT	0,55	500	39996*	18879	315	40003*	
	BKH-DN13-1/2"NPT	13	83	17	1/2"NPT	0,75	500	39997*	40008	250	24677*	
	BKH-DN20-3/4"NPT	20	95	18,3	3/4"NPT	1,63	350	39998*	17876	175	40004*	
	BKH-DN25-1"NPT	25	113	21,6	1"NPT	2,30	350	39999*	17877	175	27977*	
	BKH-DN25/32-1 1/4"NPT	25	120	22,1	1 1/4"NPT	2,51	350	40000*	40009	175	40005*	
	BKH-DN25/40-1 1/2"NPT	25	130	22,1	1 1/2"NPT	2,70	250	40001*	40010	175	40006*	
	Type	LW	RA	L	i	d	Weight [Kg]	PN [bar]	11H8	12f8	PN [bar]	1178
	BKH-DN4-6L	5	6	67	7	M 12x1,5	0,36	500	39951*	39968	315	39948*
	BKH-DN6-8L	6	8	67	7	M 14x1,5	0,37	500	39952*	39969	315	39949*
	BKH-DN8-10L	8	10	74	7	M 16x1,5	0,38	500	39953*	12727	315	39950*
	BKH-DN10-12L	10	12	74	7	M 18x1,5	0,50	500	39954*	39970	315	39963*
	BKH-DN13-15L	13	15	82	7	M 22x1,5	0,61	500	39955*	12728	250	39964*
	BKH-DN13-18L	13	18	82	7,5	M 26x1,5	0,60	500	39957*	39972	250	39966*
	BKH-DN16-18L	15	18	82	7,5	M 26x1,5	0,75	400	39958*	39973	175	34383*
	BKH-DN20-22L	20	22	101	7,5	M 30x2	1,49	350	39959*	39974	175	34384*
	BKH-DN25-28L	25	28	108	7,5	M 36x2	2,00	350	39960*	39975	175	34588*
	BKH-DN25/32-35L	25	35	112	10,5	M 45x2	2,12	350	39961*	39976	175	34382*
BKH-DN25/40-42L	25	42	112	11	M 52x2	2,27	315	39962*	39977	175	39967*	

Please note the pressure ratings of the tube connections!

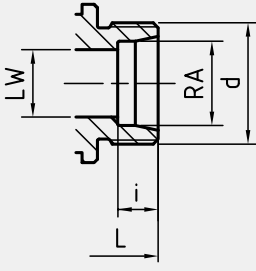
*Article usually in stock.

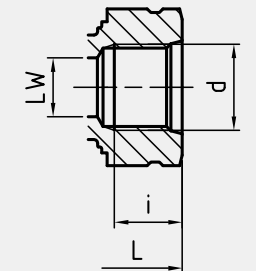
Application-specific

Ball valve for paints and lacquers Steel

BKH



CONNECTION TYPE	DIMENSIONS							ORDER CODE PER MATERIAL COMBINATION				
	Type	LW	RA	L	i	d	Weight [Kg]	PN [bar]	11H8	12f8	PN [bar]	1178
DIN 2353 / ISO 8434-1 HEAVY SERIES 	BKH-DN4-8S	5	8	73	7	M 16x1,5	0,38	500	39401*	39836	315	39739*
	BKH-DN6-10S	6	10	73	7,5	M 18x1,5	0,39	500	29057*	39838	315	39740*
	BKH-DN8-12S	8	12	76	7,5	M 20x1,5	0,39	500	39403*	12730	315	24678*
	BKH-DN10-14S	10	14	80	8	M 22x1,5	0,50	500	39404*	39841	315	39743*
	BKH-DN13-16S	13	16	86	8,5	M 24x1,5	0,60	500	39409*	12729	250	39744*
	BKH-DN13-20S	13	20	90	10,5	M 30x2	0,60	500	39694*	30714	250	39777*
	BKH-DN16-20S	15	20	90	10,5	M 30x2	0,80	400	39697*	39858	175	39779*
	BKH-DN20-25S	20	25	109	12	M 36x2	1,55	350	39699*	21498	175	39811*
	BKH-DN25-30S	25	30	120	13,5	M 42x2	2,10	350	39737*	12731	175	39812*
	BKH-DN25/32-38S	25	38	124	16	M 52x2	2,30	350	39738*	39859	175	39834*

CONNECTION TYPE	DIMENSIONS						ORDER CODE PER MATERIAL COMBINATION				
	Type	LW	L	i	d	Weight [Kg]	PN [bar]	11H8	12f8	PN [bar]	1178
SAE J514/ISO/DIS11926-1 FEMALE THREAD 	BKH-DN6-7/16" UNF	5	69	12	7/16"-20 UNF	0,39	500	40011*	40021	315	40016*
	BKH-DN10-9/16" UNF	10	72	13	9/16"-18 UNF	0,54	500	40012*	40022	315	40017*
	BKH-DN13-3/4" UNF	13	83	15	3/4"-16 UNF	0,82	500	40013*	40023	250	40018*
	BKH-DN20-1 1/16" UN	20	95	20	1 1/16"-12 UN	1,57	350	40014*	40024	175	40019*
	BKH-DN25-1 5/16" UN	25	113	20	1 5/16"-12 UN	2,30	350	40015*	40025	175	40020*

Please note the pressure ratings of the tube connections!

*Article usually in stock.