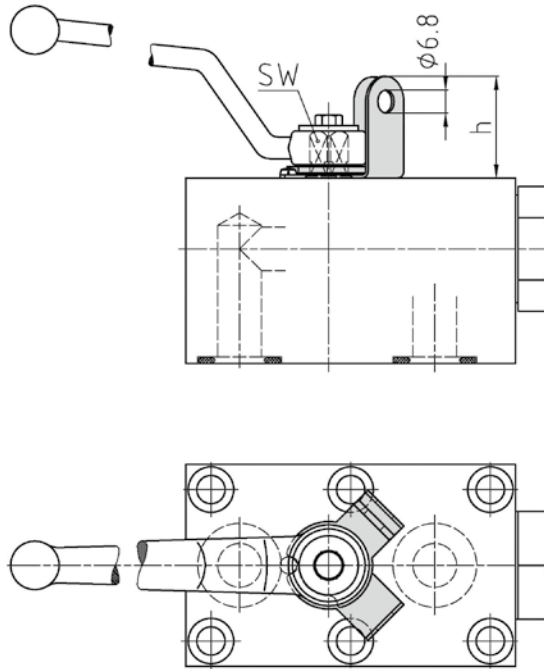
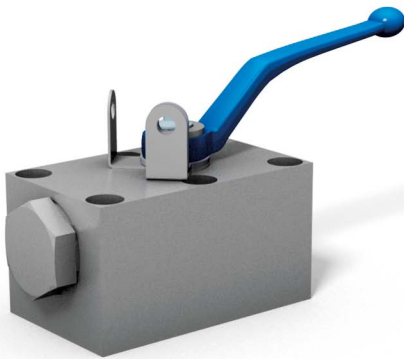


# Locking device type 4 Stainless steel



- Universal locking device
- Only suitable as retrofit for ball valves with bent lever
- Economical solution
- Can be dismantled after disassembly of lever
- Bent handle is part of delivery

DIMENSIONS		ORDER CODE PER MATERIAL
SW	h	Stainless Steel
7	24	052 40570
9	28	052 36682
12	34,5	052 52896
14	34,5	052 36683
17	44	052 36684

## ORDER EXAMPLE

Mounting set consisting of locking plate, stopping disk and ring:

order text	article no.
Locking device type 4 for ball valve DN 10-13	052 36682

Assembled with ball valves:

ball valve type (ball valve design: see data sheets)	article no.	description
PKH - DN13 - 112A	29571	with locking device type 4

## MOUNTING SETS ARE VALID FOR

Type	BKH / BKHP500	MKHP420 Steel	MKHP-SAEFS	MKHP-SAE	KHZ-SAE	BK3 / BK3-S	3KH	4KH	PKH	PK3	MPKH3/4
Page	14 - 21	22 - 24	42 - 45 58 - 61	50 - 53	68 - 71	92 - 102	108 - 114	116 - 122	124 - 127	128 - 131	136 - 139