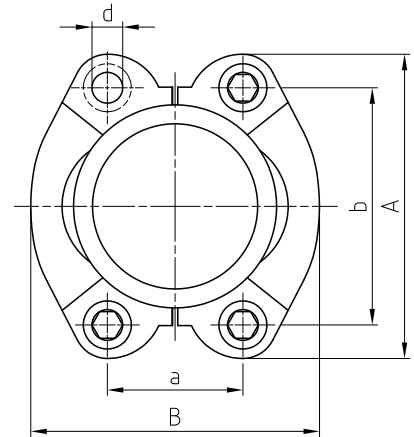
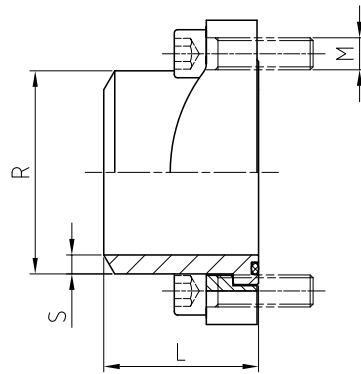
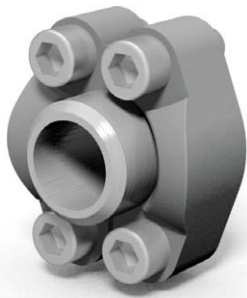


# Connection flanges ISO6162 (SAE) - metric



## ISO 6162-1 (SAE210)

Design size	Tube dimensions <sup>(1)</sup> R x S			a	b	d	L	A	B	Screws <sup>(2)</sup>	Pressure [bar] <sup>(4)</sup>		Weight [kg]
											Screws property class		
											8.8	10.9	
1/2"	16,0x2,0 21,3x3,8	20,0x2,5 21,3x4,7	21,3x2,9	17,5	38,1	8,5	41	54	45,6	M8x25	350	350	0,08
3/4"	25,0x3,0	26,9x3,6	26,9x3,9	22,2	47,6	10,5	50	65	51,8	M10x30	350	350	0,16
1"	25,0x3,0 30,0x4,0 38,0x5,0	28,0x3,0 33,7x4,5	30,0x3,0 38,0x4,0	26,2	52,4	10,5	50	70	58,4	M10x30	250	315	0,23
1 1/4"	25,0x3,0 38,0x4,0 42,4x4,5	30,0x3,0 38,0x5,0 42,4x6,3	38,0x3,0 42,4x3,6	30,2	58,7	12,5 11	55	79	72,6	M12x40 <sup>(3)</sup> M10x30	200	250	0,30
1 1/2"	38,0x4,0 45,0x5,0 48,3x5,0 50,0x6,0	42,0x3,0 48,3x2,6 48,3x6,3	42,0x5,0 48,3x3,6 48,3x7,1	35,7	69,9	13,5	57	94	82,2	M12x35	200	200	0,40
2"	48,3x5,0 60,3x3,9 60,3x8,0	55,0x5,0 60,3x5,5	60,3x2,9 60,3x6,3	42,9	77,8	13,5	57	102	96,4	M12x35	160	200	0,50
2 1/2"	65,0x6,0 76,1x7,1	70,0x7,5	88,9x3,9	50,8	88,9	13,5	58	114	108,2	M12x40	100	160	0,80
3"	80,0x6,0 88,9x7	88,9x3,2 88,9x8	88,9x3,9	61,9	106,4	16,75	58	135	130,6	M16x45	100	160	1,10
3 1/2"	100,0x6,0	88,9x3,6	88,9x8,0	69,9	120,7	17	60	152	139	M16x45	35	35	1,40
4"	110,0x6,0 114,3x8,8	114,3x3,6	114,3x6,02	77,8	130,2	17	60	162	152	M16x50	35	35	1,75
5"	133,0x6,5	139,7x4	139,7x10,0	92,1	152,4	17	60	184	180	M16x50	35	35	2,62

## ISO 6162-2 (SAE420)

Design size	Tube dimensions <sup>(1)</sup> R x S			a	b	d	L	A	B	Screws <sup>(2)</sup>	Pressure [bar] <sup>(4)</sup>		Weight [kg]
											Screws property class		
											8.8	10.9	
1/2"	16,0x2,0	20,0x2,5	21,3x4,5	18,2	40,5	8,5	34	56	47,2	M8x30	350	400	0,08
3/4"	16,0x2,0 25,0x3,5	20,0x2,5 25,0x4,0	25,0x3,0 26,9x5,6	23,8	50,8	10,5	38	71	60	M10x35	350	400	0,17
1"	25,0x3,0 33,7x6,3 38,0x5,0	30,0x3,0 33,7x7,1	30,0x4,0 38,0x4,0	27,8	57,2	13,5	40	81	69,6	M12x45	350	400	0,25
1 1/4"	25,0x3,0 38,0x5,0	30,0x4,0 38,0x5,5	38,0x4,0 42,4x6,3	31,8	66,7	14,5 13	45	95	77,2	M14x50 <sup>(3)</sup> M12x45	350	400	0,30
1 1/2"	38,0x5,0 48,3x6,3 48,3x8,8	45,0x6,5 48,3x7,1 50,0x6,0	48,3x5,0 48,3x8,0	36,5	79,4	16,75	50	113	95	M16x55	350	400	0,53
2"	48,3x6,3 60,3x8,0 60,3x13,4	60,3x6,3 60,3x8,75	60,3x7,5 60,3x10,0	44,5	96,8	21	58	133	113,8	M20x65	350	400	0,90
2 1/2"	76,1x8,0 88,9x11,1	76,1x10,0 88,9x14,2	88,9x10,0	58,8	123,8	26	75	180	150,2	M24x75	350	400	2,40
3"	88,9x10,0 114,3x11,0	88,9x11,1 114,3x17,5	88,9x14,2	71,6	152,4	31	80	215	198,2	M30x90	350	400	3,60

<sup>(1)</sup> Other tube dimensions on request.

<sup>(2)</sup> Please advise thread dimension with order. UNC screws on request.

<sup>(3)</sup> This thread is not to be used for new designs.

<sup>(4)</sup> The max. recommended working pressure is based on the flange. The working pressure of the system is determined by the thickness and the material of the tube.