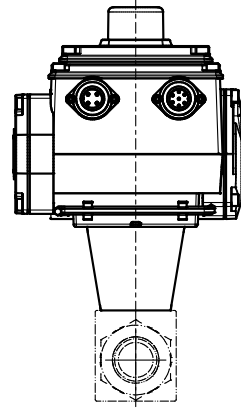
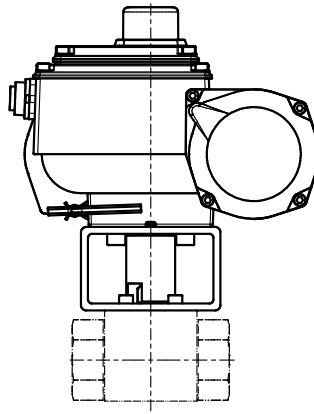
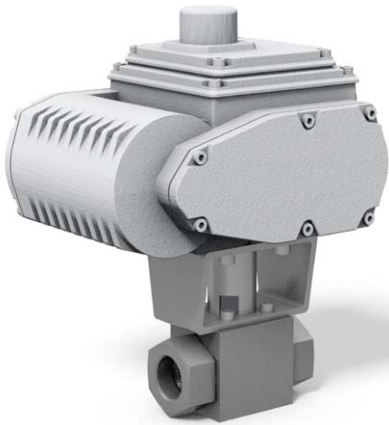


# Ball valves with electric actuator



The dimensioning of the actuators is based on the extensive experience of MHA ZENTGRAF. When making a request, it is absolutely necessary to specify the working pressure, service medium and operating temperature, to enable us to configure the actuators for your application. Furthermore the following product code defines all used components for the actuator configuration:

## ORDER EXAMPLE

order text (ball valve design: see data sheets)	article no.		voltage	version					
BKH - DN4 - G1/8 - 112A	20639	- EA -							
			<table border="1"> <tr><td>24V DC</td></tr> <tr><td>230V AC</td></tr> <tr><td>S special: please specify separately with the inquiry</td></tr> </table>	24V DC	230V AC	S special: please specify separately with the inquiry	<table border="1"> <tr><td>ST standard</td></tr> <tr><td>EX  -version: please specify required EX-zone (EX-level)</td></tr> </table>	ST standard	EX  -version: please specify required EX-zone (EX-level)
24V DC									
230V AC									
S special: please specify separately with the inquiry									
ST standard									
EX  -version: please specify required EX-zone (EX-level)									