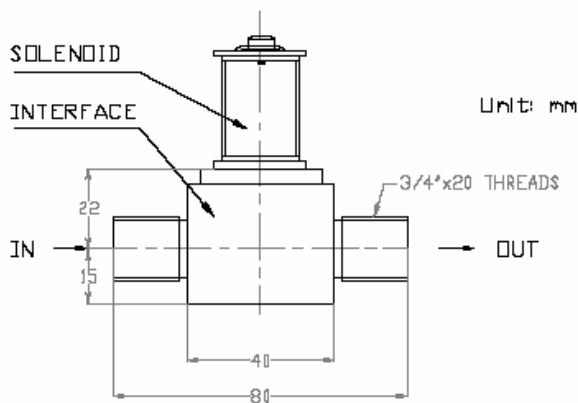


Solenoid Valve

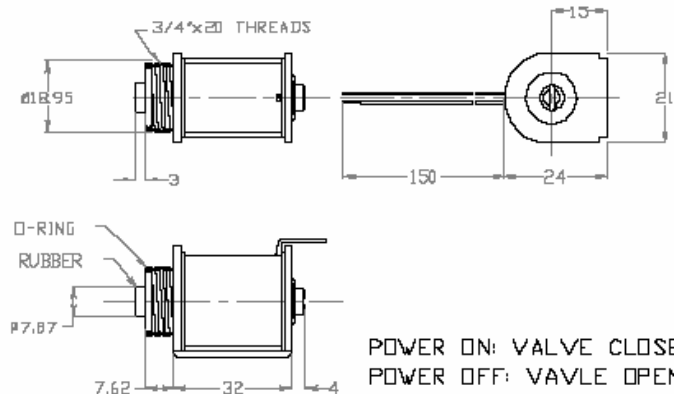
GV1032



- 2 way air or fluid valve
- Threaded end
- Flying leads with optional connectors
- Rubber ended plunger
- Customised fixing holes
- Alternative plating finishes
- Optional interface available
- Optional voltage ratings



Unit: mm



POWER ON: VALVE CLOSE
POWER OFF: VALVE OPEN

STANDARD SPECIFICATION

Total weight : 81.5g
Plunger weight : 9g

1	RATED POWER CONSUMPTION	3.6W (at 20°C)	7	COIL SPECIFICATIONS		
				VOLTAGE (V DC)	RESISTANCE (Ω)	CURRENT (mA)
2	FLUID TO USE	AIR OR WATER		6	10	600
3	INSULATION GRADE	CLASS A (105°C)		12	40	300
4	INTERNAL LEAKAGE	5PSI MAX		24	160	150
5	STROKE	1MM		48	640	75
6	NORMALLY	2-WAY VALVE				