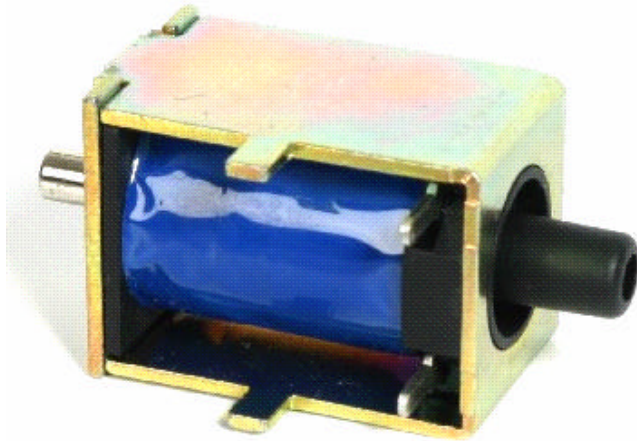
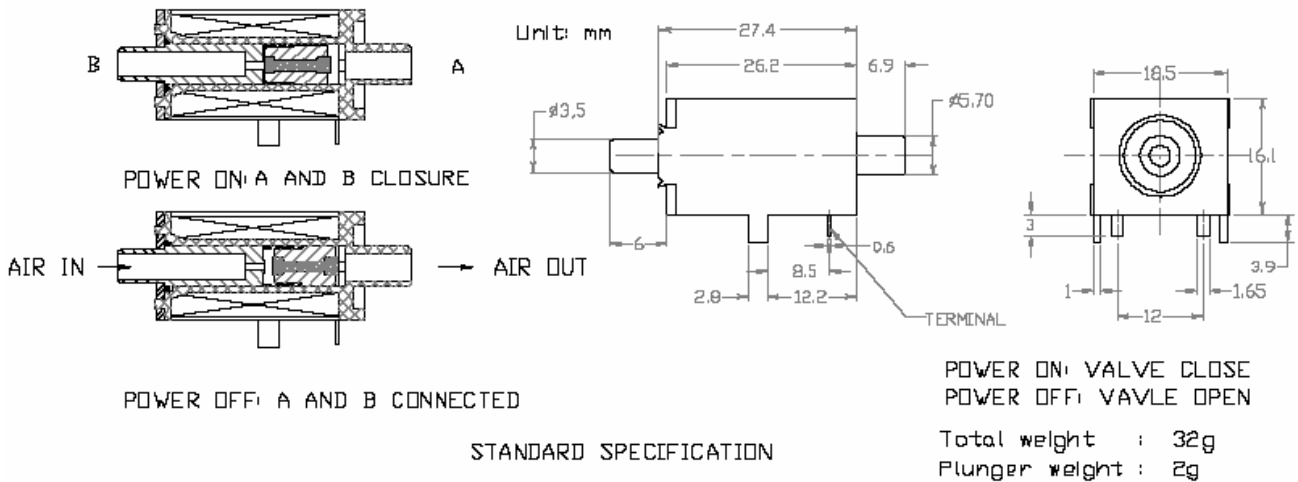


# Solenoid Valve

GV0627



- 2 way air valve
- Flying leads with optional connectors
- Optional PCB mounting
- Customised fixing holes
- Optional voltage ratings
- Alternative plating finishes
- Orifice Ø 1.6mm



1	RATED POWER CONSUMPTION	2.3W (<math>\alpha+20^{\circ}\text{C}</math>)	8	COIL SPECIFICATIONS		
2	FLUID TO USE	AIR		VOLTAGE<math>\langle\text{VDC}\rangle</math>	RESISTANCE { $\Omega$ }	CURRENT <math>\langle\text{mA}\rangle</math>
3	INSULATION GRADE	CLASS A<math>\langle 105^{\circ}\text{C}\rangle</math>		6	15.67	383
4	INTERNAL LEAKAGE	5PSI MAX (<math>-5\text{PSI}</math>)		12	62.5	192
5	STROKE	0.4MM		24	250	96
6	NORMALLY	2-WAY VALVE				
7	ORIFICE INSIDE DIAMETER	$\phi 0.9\text{--}\phi 1.6\text{MM}$				