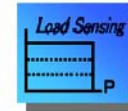


# New *A3H Series High-Pressure Variable Piston Pumps*

## ■ Features

A3H, the ultimate design pump developed by Yuken's own technology. It is consequently extended with wide displacement range and high pressure.

- *Optimal control types available for industrial machines and industrial vehicles*
- *Wide displacement range with single and through drive pump*
- *High performance having maximum pressure up to 35 MPa*
- *Low noise level and high reliability based on well proved service*
- *Compact in size, greater ratio of Output power to Mass*



## ■ Specifications

Model Numbers	Geometric Displacement cm <sup>3</sup> /rev(in <sup>3</sup> /rev)	Min.Adjustment Flow cm <sup>3</sup> /rev(in <sup>3</sup> /rev)	Operating Pressure Mpa (PSI)		Shaft Speed Range (r/min)		Mass (kg) with "01" Control	
			Max	Rated.	Max.	Min.	Flange Mtg.	Foot Mtg.
A3H16	16.3 (0.995)	8 (0.49)	35 (5082)	28 (4066)	3600	600	13.0	18.0
A3H37	37.1 (2.26)	16 (0.98)			2700	600	19.5	27.0
A3H56	56.3 (3.44)	35 (2.14)			2500	600	25.7	33.2
A3H71	70.7 (4.31)	45 (2.75)			2300	600	35.0	42.5
A3H100	100.5 (6.13)	63 (3.84)			2100	600	44.6	72.6
A3H145	145.2 (8.86)	95 (5.80)			1800	600	60.0	88.0
A3H180	180.7 (11.03)	125 (7.63)			1800	600	70.4	98.4

## ■ Model Number Designation

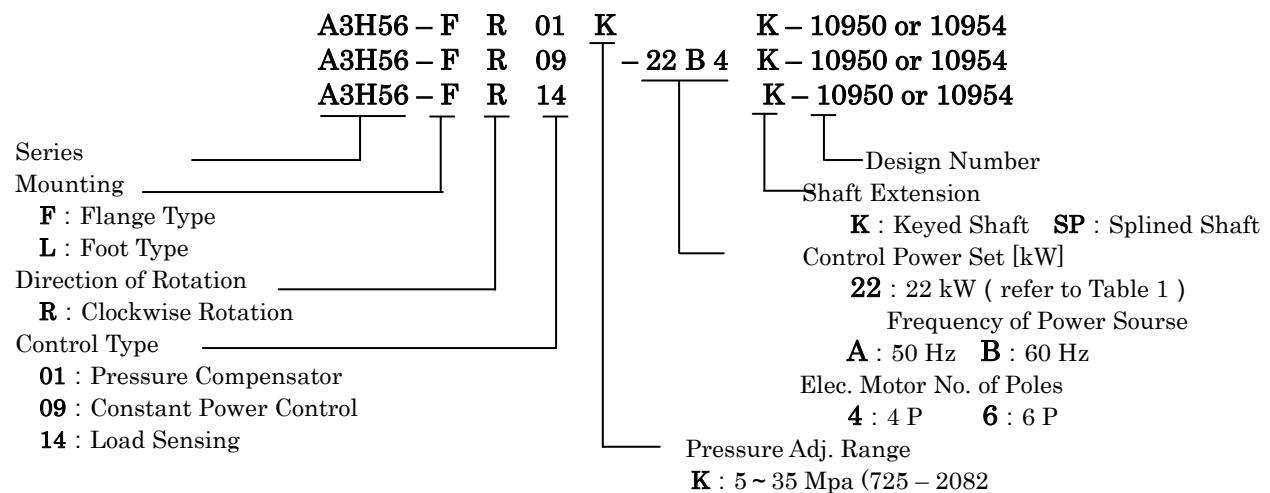


Table 1. Code of Control Power Set (at 4P Motor)

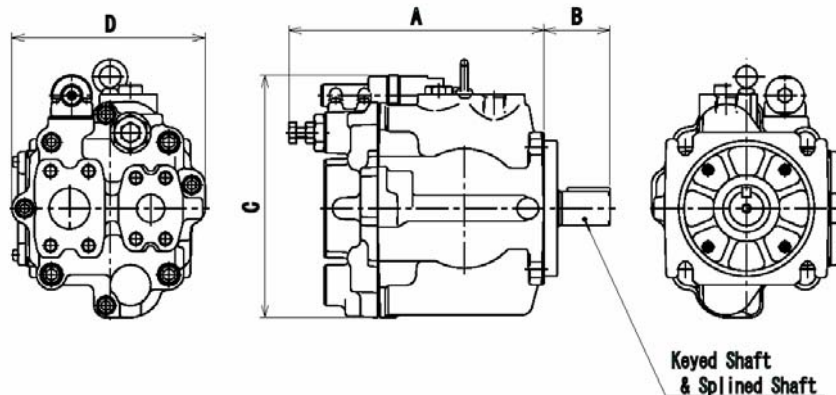
Model Numbers	Control Power Set [kW]													
	3.7	5.5	7.5	11	15	18.5	22	30	37	45	55	75	90	
A3H37	-	-	-	○	○	○	○	-	-	-	-	-	-	
A3H56	-	-	-	-	○	○	○	○	○	-	-	-	-	
A3H71	-	-	-	-	-	○	○	○	○	○	-	-	-	
A3H100	-	-	-	-	-	-	○	○	○	○	○	-	-	
A3H145	-	-	-	-	-	-	-	○	○	○	○	○	○	
A3H180	-	-	-	-	-	-	-	-	○	○	○	○	○	



■ Control type

■ Dimensions (01 Control Types)

Model (SAE Mount)	A - mm (inch)	B - mm (inch)	C - mm (inch)	D - mm (inch)	Keyed Shaft φ mm (inch) (SAE#)	Splined Shaft SAE J 498b	Pilot Flange SAE J 744c
A3H16- * R01KK-10 (SAE-B)	203.5 (8.01)	49.5 (1.94)	190.5 (7.5)	151 (5.94)	22.23 (0.875) (SAE-B)	13T-16/32 (SAE-B)	φ 101.6, 4bolt
A3H37- * R01KK-10 (SAE-C)	223 (8.78)	61.5 (2.42)	204 (8.03)	163 (6.42)	φ 25.4 (1.0) (SAE-BB)	15T-16/32 (SAE-BB)	φ 127, 4bolt
A3H56- * R01KK-10 (SAE-C)	239 (9.41)	62 (2.44)	227 (8.94)	181 (7.13)	φ 31.75 (1.25) (SAE-C)	14T-12/24 (SAE-C)	φ 127, 4bolt
A3H71- * R01KK-10 (SAE-C)	264 (10.39)	75 (2.95)	254 (10)	203.5 (8.01)	φ 38.1 (1.50) (SAE-CC)	17T-12/24 (SAE-CC)	φ 127, 4bolt
A3H100- * R01KK-10954 (SAE-D)	284.5 (11.2)	74.6 (2.94)	262.5 (10.33)	215 (8.46)	φ 44.45 (1.75) (SAE-D&E)	13T-8/16 (SAE-D)	φ 152.4, 4bolt
A3H145- * R01KK-10954 (SAE-D)	321.5 (12.66)	74.6 (2.94)	281 (11.06)	232 (9.13)	φ 44.45 (1.75) (SAE-D&E)	15T-8/16 (SAE-F)	φ 152.4, 4bolt
A3H180- * R01KK-10954 (SAE-D)	347.5 (13.68)	99.8 (3.93)	298 (11.73)	246.5 (9.7)	φ 44.45 (1.75) (SAE-D&E)	15T-8/16 (SAE-F)	φ 152.4, 4bolt



■ Applications

Presses, Pipe vending machine, Tube forming machine  
Steel works, Rolling mills  
Injection molding machine, Die casting machine  
Compacter,  
Industrial Vehicles

■ Competitor's equivalent models

Rexroth	A10V	28/35	10,18,28,45,71,100,140	
Parker	PVP	25/35	16,23,33,41,48,60,76,100,140	
Eaton-Vickers	PVH300	28/32/35	45,57,74,131,··	
Kawasaki	K3VL	32/35	45,80,112,140	( PPR_2739 )