

Process



600/700 SERIES

- 600 (Brass) and 700 (316 Stainless steel) Gauges are specifically designed for demanding applications in the chemical and petroleum processing industries
- **Extreme high pressure** ranges available from vacuum through 60,000 psi
- Low pressure ranges from -30 inH₂O vac through 10 psi
- 4-1/2 inch size – bottom connected
- Turret style cases are constructed of a rugged, corrosion-resistant phenolic material
- Solid front, safety case with a blow-out back isolates the gauge face from the pressure
- Adjustable pointer
- Standard lenses are shatter resistant acrylic; safety glass lenses available
- Stock availability

OPERATING SPECIFICATIONS

1. Working Pressure Limitations

a. Dynamic Pressure

The working pressure should be limited to 60% of the dial range.

b. Static Pressure

The working pressure, when no sharp fluctuations occur, should be limited to 90% of the dial range.

2. Ambient Temperature

a. 640/740 Series

-40°F to 150°F (-40°C to 65°C)

b. 660/760 Series

-4°F to 150°F (-20°C to 65°C) Glycerine Fill

-40°F to 150°F (-40°C to 65°C) Special Fill

3. Media Temperature

a. 640 Series

-4°F to 150°F (-20°C to 65°C)

b. 660 Series

-4°F to 150°F (-20°C to 65°C) Glycerine Fill

-40°F to 150°F (-40°C to 65°C) Special Fill

c. 740 Series

-40°F to 212°F (-40°C to 100°C)

500°F (260°C)

Maximum for short term/intermittent

d. 760 Series

-4°F to 212°F (-20°C to 100°C) Glycerine Filled

-40°F to 212°F (-40°C to 100°C) Special Fill

250°F (130°C) Maximum for short term/intermittent

APPLICATIONS

- Chemical petroleum and petrochemical refineries
- Utilities
- Food processing plants
- Paper mills
- Power generating stations
- Water treatment plants
- Wherever accuracy, safety, readability and reliability are crucial

ACCURACY

- 4-1/2 inch 600 Series Gauges: ±0.5%
- 4-1/2 inch 700 Series Gauges: ±0.5%
- 4-1/2 inch 700 Series Gauges (LP): ±1.5%

	MODELS	SPECIFICATIONS
Case	45-640, 45-660, 45-740, 45-760	Turret style black phenolic. Solid front, safety case with blow-out back
Bayonet Ring	45-640, 45-660, 45-740, 45-760	Thread black phenolic
Lens	45-640, 45-660, 45-740, 45-760	Acrylic. Laminated safety glass is available as a stock option
Bourdon Tube	45-640, 45-660 (up to 600 psi)	Beryllium copper "C" tube
	45-740, 45-760 (up to 600 psi)	316 Stainless steel "C" Tube
Connection	45-640, 45-660	1/4" NPT brass
	45-740, 45-760	1/4" NPT or 1/2" NPT 316 Stainless steel
Movement	45-640, 45-660	Brass and Nickel-Silver with highly polished bearing surfaces. An internal zero stop is standard.
	45-740, 45-760	Stainless steel with highly polished bearing surfaces. An internal zero stop is standard.
Safety Protection	45-640, 45-660, 45-740, 45-760	Blow-out back on the rear of case.
Accuracy	45-640, 45-660	± 1/2% Full Scale ASME grade 2A
	45-740, 45-760	± 1/2% Full Scale ASME grade 2A. ± 1.5% Full Scale ASME grade A for inH ₂ O, 5 psi and 10 psi ranges
Pointer	45-640, 45-660, 45-740, 45-760	Balanced micro-adjustable aluminum, black finish
Dial	45-640, 45-660, 45-740, 45-760	Aluminum, white background with black markings. Single scale psi is standard. psi/bar, psi/kPa, or psi/Kg/cm ² dual scale are available as stock options. On dual scale dials, the outer scale is psi in black and the Inner metric scale is red. UV resistant.
Fill Liquid	45-660, 45-760	Glycerine and water. Silicone and halocarbon are available as options.

For details on accuracy/standard dial configuration and dial layouts, see pages 74-78

ORDERING INFORMATION										
SERIES	600/700									
SIZE	45 4-1/2 Inch									
CASE TYPE	640 Brass, Dry, Bottom Connection					660 Brass, Liquid Filled, Bottom Connection				
	740 SS, Dry, Bottom Connection					760 SS, Liquid Filled, Bottom Connection				
PRESSURE RANGES	30 inH ₂ O vac	-30 inH ₂ O to 0 inH ₂ O	30" vac	-30 inHg to 0	5	0 psi to 5 psi	300	0 psi to 300 psi	5000	0 psi to 5000 psi
	60 inH ₂ O vac	-60 inH ₂ O to 0 inH ₂ O	30/15	-30 inHg to 0 to 15 psi	10	0 psi to 10 psi	400	0 psi to 400 psi	6000	0 psi to 6000 psi
	60/60 inH ₂ O	-60 inH ₂ O to 60 inH ₂ O	30/30	-30 inHg to 0 to 30 psi	15	0 psi to 15 psi	600	0 psi to 600 psi	10000	0 psi to 10000 psi
	60 inH ₂ O	0 inH ₂ O to 60 inH ₂ O	30/60	-30 inHg to 0 to 60 psi	30	0 psi to 30 psi	800	0 psi to 800 psi	15000	0 psi to 15000 psi
	100 inH ₂ O	0 inH ₂ O to 100 inH ₂ O	30/100	-30 inHg to 0 to 100 psi	60	0 psi to 60 psi	1000	0 psi to 1000 psi	20000	0 psi to 20000 psi
	160 inH ₂ O	0 inH ₂ O to 160 inH ₂ O	30/160	-30 inHg to 0 to 160 psi	100	0 psi to 100 psi	1500	0 psi to 1500 psi	30000	0 psi to 30000 psi
	200 inH ₂ O	0 inH ₂ O to 200 inH ₂ O	30/200	-30 inHg to 0 to 200 psi	160	0 psi to 160 psi	2000	0 psi to 2000 psi	40000	0 psi to 40000 psi
	300 inH ₂ O	0 inH ₂ O to 300 inH ₂ O	30/300	-30 inHg to 0 to 300 psi	200	0 psi to 200 psi	3000	0 psi to 3000 psi	60000	0 psi to 60000 psi
SCALE OPTION	inH ₂ O	inH ₂ O single scale	psi	psi single scale	psi/kPa	psi/kPa dual scale	psi/kg/cm ²	psi/kg/cm ² dual scale	psi/bar	psi/bar dual scale
CONNECTION SIZE	1/4	1/4" NPT	1/2	1/2" NPT	9/16-18 9/16-18 UNF 3B (above 30000 psi standard)					
OPTIONS	SGL	Safety glass lens	CPMR	Uninstalled chrome panel mount ring	ST	Stainless steel tagging				
	GL	Glass lens	MDM	Manocont dampened movement	BP3	Brass press fit orifice 0.3 mm				
	MIP	Maximum indicating pointer	OS	Overload stop	BT3	Brass threaded orifice 0.3 mm				
	BPMR	Uninstalled black panel mount ring	LM	Laser marking	ST8	316SS threaded orifice 0.8 mm				

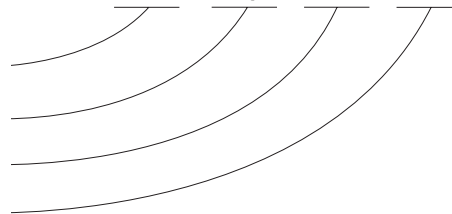
Please consult your local NOSHOK Distributor or NOSHOK, Inc. for availability and delivery information.

NOTE: Refer to 600/700 Series Options & Accessories chart on page 66 for availability by model number.

EXAMPLE

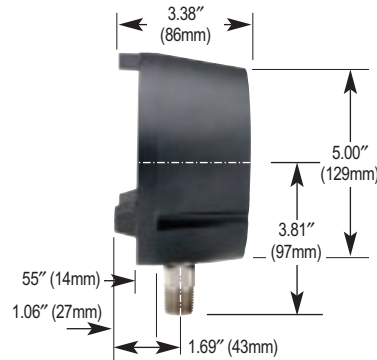
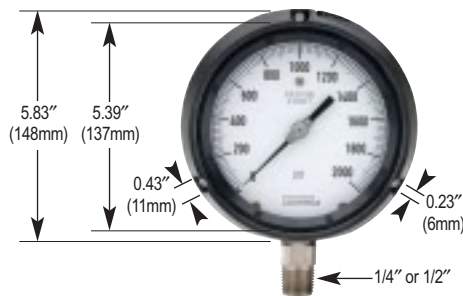
1. Select model number (size & case type)
2. Select pressure range & scale option
3. Select connection size (if more than one is offered)
4. Select any required accessory or option

45-740 - 100 psi - 1/2" - BT8



OUTLINE DIMENSIONS

45-640/660 & 45-740/760



45-640/660 & 45-740/760 Panel Mount Ring

