

Dial Indicating Pressure Gauges

Standard



100 SERIES

- High quality dry gauges for reliable service on applications not corrosive to brass
- Vacuum and compound through 15,000 psi
- 1-1/2, 2, 2-1/2, 4 inch sizes – bottom, back, left and right side connections
- Dry, ABS case (steel, chrome or stainless steel optional)
- All brass or brass with Delrin® internals
- Panel Mount Clamp and Front Flange mounting
- Standard UV resistant dials are dual scale in psi and kPa (kilopascals); dual scale psi/bar and psi/kg/cm² are available in most popular ranges
- Stock availability

OPERATING SPECIFICATIONS

1. Working Pressure Limitations

a. Dynamic Pressure

The working pressure should be limited to 60% of the dial range.

b. Static Pressure

The working pressure, where no sharp fluctuations occur, should be limited to 90% of the dial range

2. Ambient Temperature

0°F to 140°F (-18°C to 60°C)

3. Media Temperature

-4°F to 140°F (-20°C to 60°C)

APPLICATIONS

- Hydraulics
- Pneumatics
- Petrochemical
- Medical
- Food
- Pharmaceutical
- Most industrial and commercial applications

ACCURACY

- 1-1/2, 2 and 2-1/2 Inch 100 Series Gauges: ±2.5%
- 4 Inch 100 Series Gauges: ±1.5%
- 4 Inch 105 Series Gauges: ±1.0%

For details on accuracy/standard dial configuration and dial layouts, see pages 74-78

| | MODELS | SPECIFICATIONS |
|--------------|--|---|
| Case | 15-100, 15-110, 20-100, 20-110, 20-148, 25-100, 40-100 | ABS (Acryl Nitril Butadien Styrol) |
| | 15-120, 20-120, 25-120 | Black painted steel with chrome triangular bezel and U-Clamp |
| | 40-105, 40-115 | 304 Stainless steel |
| Bezel | 15-110, 20-110, 25-110 | Built-in bezel, molded as an integral part of the case for ease of panel mounting. |
| | 15-120, 20-120, 25-120 | Chrome plated steel triangular bezel |
| Bayonet Ring | 40-105, 40-115 | 304 Stainless steel |
| Lens | 15-100, 15-110, 15-120, 20-100, 20-110, 20-120, 20-148, 25-100, 25-110, 25-120, 40-100 | Clear front Plexiglass™ |
| | 40-105, 40-115 | Plexiglass™ |
| Bourdon Tube | 15-100, 15-110, 15-120, 20-100, 20-120, 20-110, 20-148, 25-100, 25-120, 25-110, 40-100 | Phosphor bronze |
| | 40-105 and 40-115 (up to 600 psi) | Phosphor bronze "C" tube |
| | 40-105 and 40-115 (greater than 600 psi) | 316 Stainless steel coiled safety tube |
| Connection | 15-100, 15-110, 15-120, 20-100, 20-110 | 1/8" NPT brass |
| | 20-148 | 1/8" NPT/10-32 female brass |
| | 20-100, 20-110, 20-120, 25-100, 25-110, 25-120, 40-100, 40-105, 40-115 | 1/4" NPT brass |
| | 40-105, 40-115 | 1/2" NPT (available as a special order option) |
| Movement | 15-100, 15-110, 15-120, 20-100, 20-110, 20-120, 20-148, 25-100, 25-110, 25-120, 40-100 | Brass & Nylon, or All-Brass with highly polished bearing surfaces |
| | 40-105, 40-115 | Brass and Nickel-Silver with highly polished bearing surfaces |
| Accuracy | 15-100, 15-110, 15-120, 20-100, 20-110, 20-120, 20-148, 25-100, 25-110, 25-120, | ± 2.5% Full Scale ASME grade B |
| | 40-100 | ± 1.5% Full Scale ASME grade A |
| | 40-105, 40-115 | ± 1% Full Scale ASME grade 1A |
| Pointer | 15-100, 15-110, 15-120, 20-100, 20-120, 20-110, 20-148, 25-100, 25-110, 25-120, 40-100 | Molded plastic |
| | 40-105, 40-115 | Balanced micro-adjustable aluminum, black finish |
| Dial | 15-100, 15-110, 15-120, 20-100, 20-110, 20-120, 20-148, 25-100, 25-110, 25-120, 40-100 | White background with black psi scale and red kPa scale. UV resistant |
| | 40-105, 40-115 | Aluminum, white background with black psi scale and red kPa scale is Standard. Single scale psi and dual scales of psi/bar or psi/Kg/cm ² are available as stock options. UV resistant |

| ORDERING INFORMATION | | | | | | | | | | | | | | | | |
|------------------------|---------|--------------------------------|-----------------------------------|---|------------------------|-----------------------------------|---------|---|-----------------------------------|--------------------------------|------|-----------------------------------|------|------------------------------|-------|--------------------------------|
| SERIES | 100 | | | | | | | | | | | | | | | |
| SIZE | 15 | 1-1/2 Inch | 20 | 2 Inch | 25 | 2-1/2 Inch | 40 | 4 Inch | | | | | | | | |
| CASE TYPE | 100 | ABS, Bottom Connection | 105 | Heavy Duty SS Case, Bottom Connection (4" only) | 110 | ABS, Back Connection | 115 | Heavy Duty SS Case, Back Connection (4" only) | 120 | Steel Case Panel Mount | 148 | Square ABS, Panel Mount (2" only) | | | | |
| PRESSURE RANGES | 30" Vac | -30 inHg vacuum to 0 | 30/300 | -30 inHg to 0 to 300 psi | 200 | 0 psi to 200 psi | 2000 | 0 psi to 2000 psi | 30/15 | -30 inHg to 0 to 15 psi | 15 | 0 psi to 15 psi | 300 | 0 psi to 300 psi | 3000 | 0 psi to 3000 psi |
| | 30/30 | -30 inHg to 0 to 30 psi | 30 | 0 psi to 30 psi | 400 | 0 psi to 400 psi | 5000 | 0 psi to 5000 psi | 30/60 | -30 inHg to 0 to 60 psi | 60 | 0 psi to 60 psi | 600 | 0 psi to 600 psi | 6000 | 0 psi to 6000 psi |
| | 30/100 | -30 inHg to 0 to 100 psi | 100 | 0 psi to 100 psi | 1000 | 0 psi to 1000 psi | 10000 | 0 psi to 10000 psi | 30/160 | -30 inHg to 0 to 160 psi | 160 | 0 psi to 160 psi | 1500 | 0 psi to 1500 psi | 15000 | 0 psi to 15000 psi |
| | 30/200 | -30 inHg to 0 to 200 psi | Other ranges available on request | | | | | | | | | | | | | |
| SCALE OPTION | psi | psi single scale | psi/kPa | psi/kPa dual scale | psi/kg/cm ² | psi/kg/cm ² dual scale | psi/bar | psi/bar dual scale | Other scales available on request | | | | | | | |
| CONNECTION SIZE | 1/8 | 1/8" NPT | 7/16 | 7/16-20 SAE #4 | 1/4 | 1/4" NPT | | | | | | | | | | |
| OPTIONS | PMC | Panel mount clamp | SBBF | Black front flange – steel case | CCR | Chrome cover ring** | MIP | Maximum indicating pointer | SSB | Polished Stainless steel bezel | SCFF | Chrome front flange – steel case | PCCR | Polished Chrome cover ring** | SDM | Silicone dampened movement |
| | BR | Bayonet ring – 40-115 only | BSC | Black steel case | CAR | Chrome adapter ring | LM | Laser marking | BLRF | Black rear flange | SSC | Stainless steel case | LL | Lexan Lens | ST | Stainless steel tagging |
| | SSRF | Stainless steel rear flange | CRC | Chrome case | GL | Glass lens* | CPO | Brass Sintered orifice 20 micron | BLFF | Black front flange – ABS case | FAC | Flat sided ABS case | SGL | Safety glass lens* | BP1 | Brass press fit orifice 0.1 mm |
| | CFF | Chrome front flange – ABS case | BCR | Black cover ring** | HL | Homalite lens* | BP3 | Brass press fit orifice 0.3 mm | SSFF | Polished 304SS front flange | SSCR | Stainless steel cover ring** | SP | Red set pointer** | BP8 | Brass press fit orifice 0.8 mm |

Please consult your local NOSHOK Distributor or NOSHOK, Inc. for availability and delivery information.

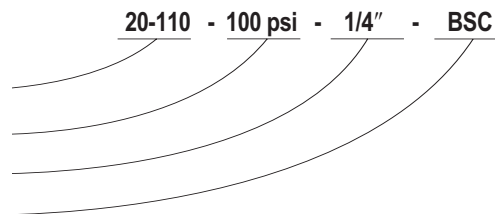
NOTE: Refer to 100 Series Options & Accessories chart on page 64 for availability by model number.

* A steel, stainless or chrome case & cover ring must be additionally ordered when lenses other than Plexiglass™ are utilized on all 100 Series models.

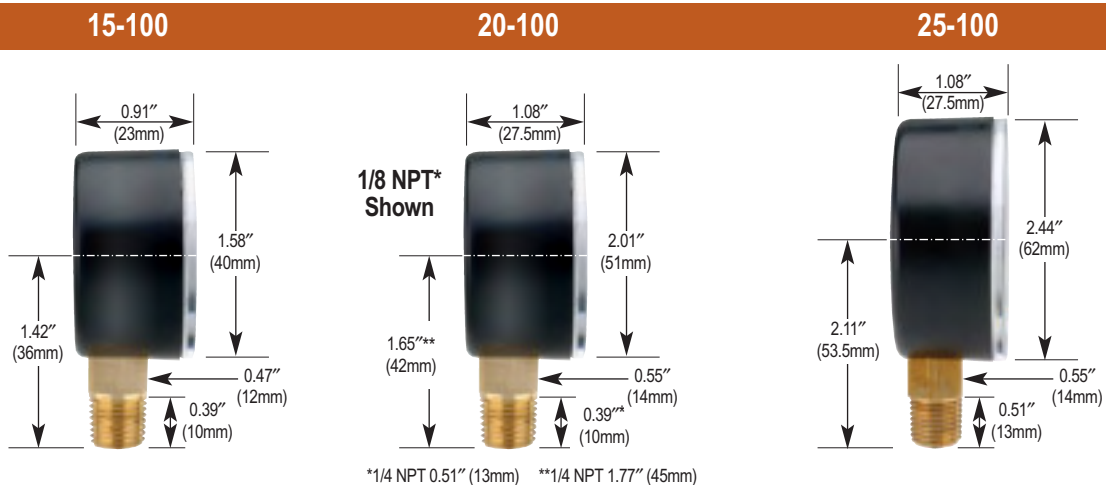
** Only 110 Models require a steel, stainless or chrome case & cover ring to be additionally ordered when utilizing a set pointer or cover ring. Please consult factory when a set pointer is to be utilized on a 120 Model.

EXAMPLE

1. Select model number (size & case type)
2. Select pressure range & scale option
3. Select NPT connection size (if more than one is offered)
4. Select any required accessory or option



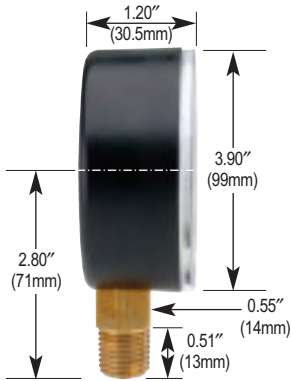
OUTLINE DIMENSIONS



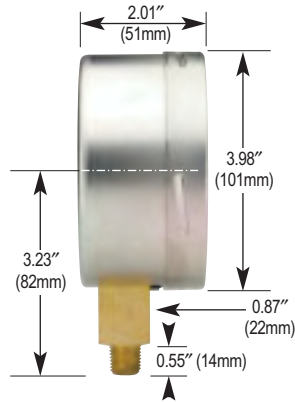
Dial Indicating Pressure Gauges

Dimensions

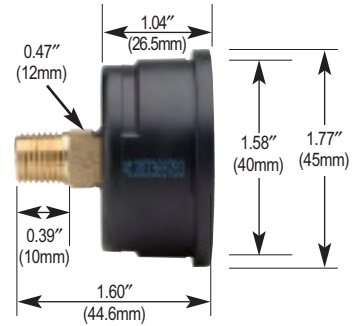
40-100



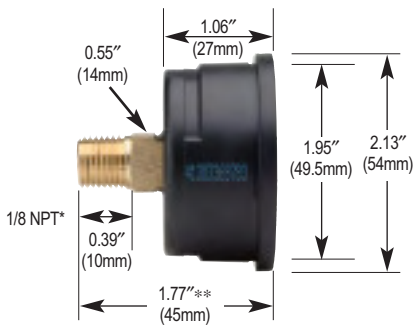
40-105



15-110

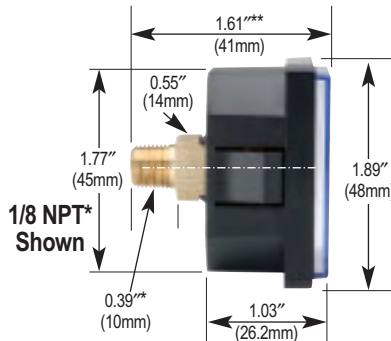


20-110



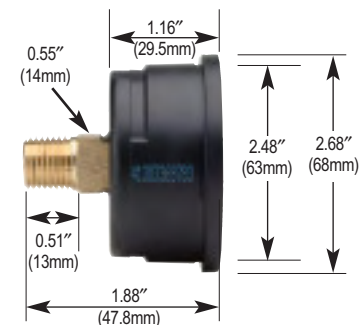
*1/4 NPT 0.51" (13mm) **1.89" (48mm)

20-148

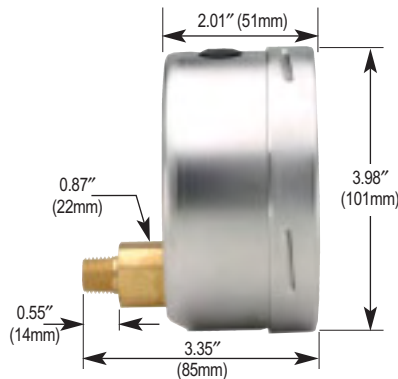


*1/4 NPT 0.51" (13mm) **1/4 NPT 1.81" (46mm)

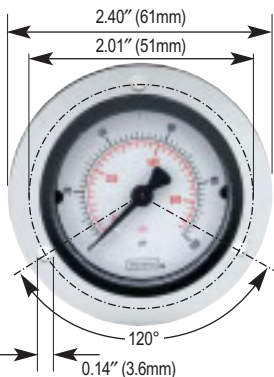
25-110



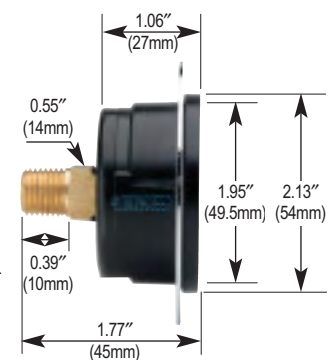
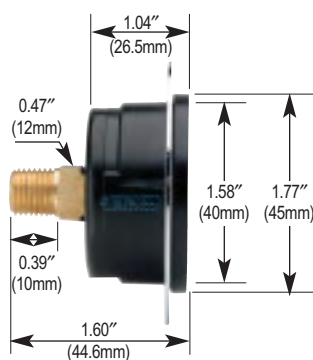
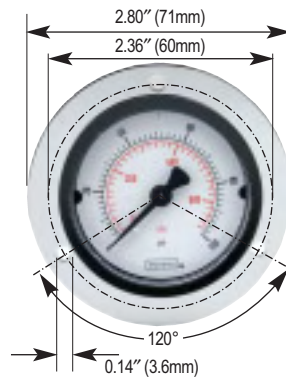
40-115



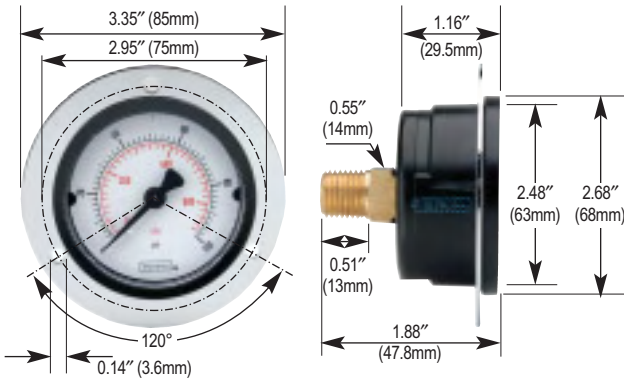
15-110 Front Flange



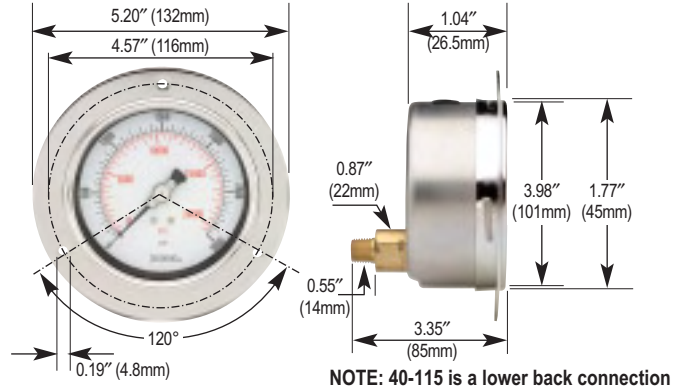
20-110 Front Flange



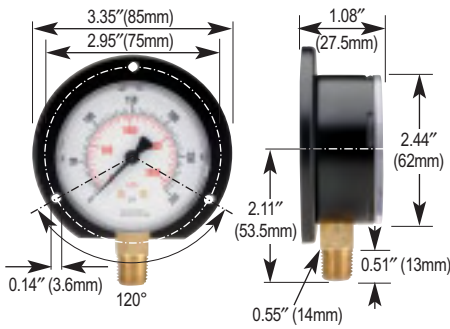
25-110 Front Flange



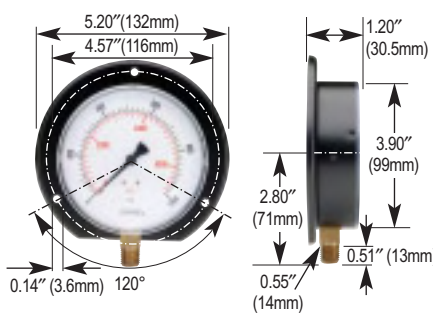
40-115 Front Flange



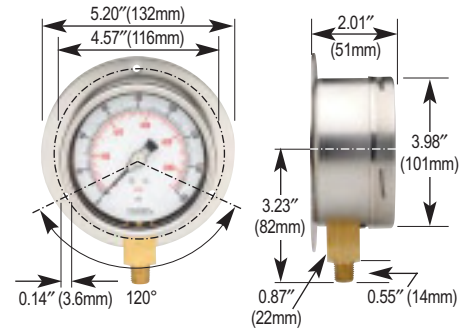
25-100 Rear Flange



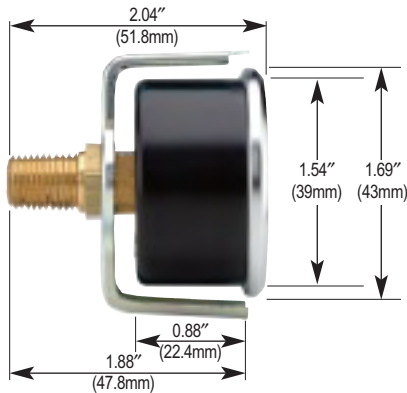
40-100 Rear Flange



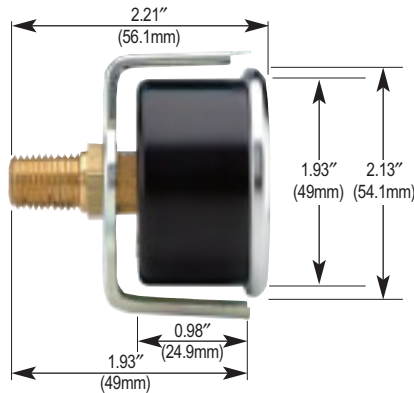
40-105 Rear Flange



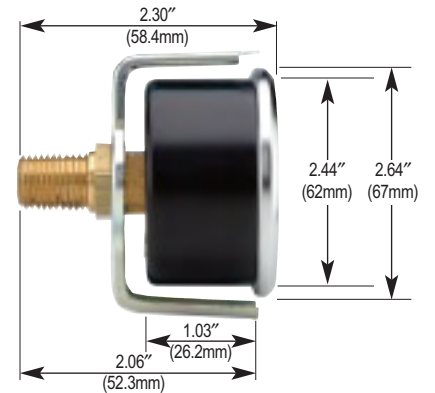
15-120 Chrome Triangular Bezel with U-Clamp



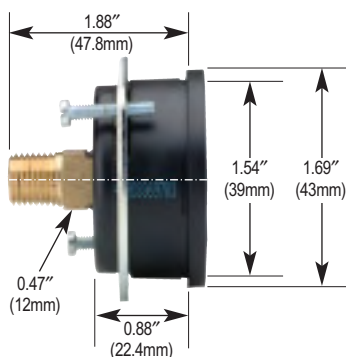
20-120 Chrome Triangular Bezel with U-Clamp



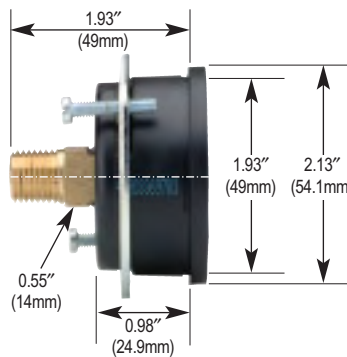
25-120 Chrome Triangular Bezel with U-Clamp



15-110 Panel Mount Clamp



20-110 Panel Mount Clamp



25-110 Panel Mount Clamp

