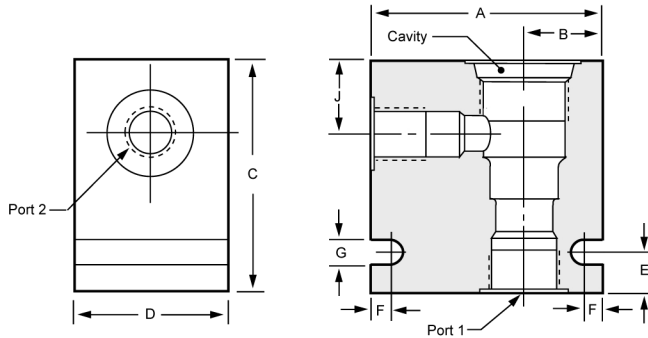


# In-Line Valve Bodies

- 6061-T6 Aluminum
- Pressure Rating 3500 psi

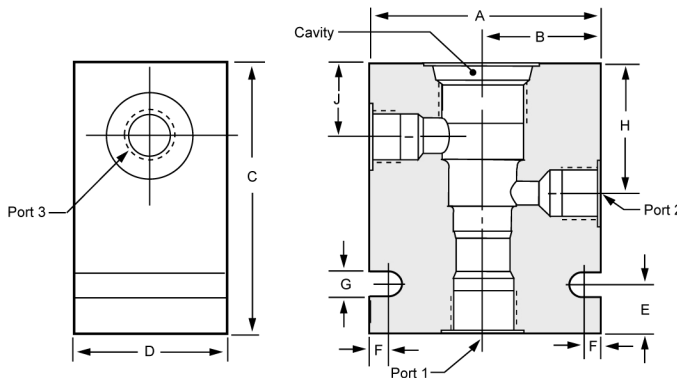


**For cartridge type 2-way valves**

Part Number	Cavity Threads	Port 1&2	A	B	C	D	E	F	G	J	Common Cavity Designation
SFP10180	3/4-16	SAE-6	2.50	1.00	2.00	1.50	.75	.38	.28	.59	8-2
SFP10181	3/4-16	SAE-6	2.50	1.00	2.00	1.50	.75	.38	.28	.61	8-2
SFP10182	7/8-14	SAE-8	2.50	1.12	2.50	2.00	.75	.38	.28	.75	10-2
SFP10183	1 5/16-12	SAE-12	4.00	1.50	3.50	2.50	1.00	.41	.34	1.00	16-2
SFP10184	1 5/8-12	SAE-16	4.00	1.50	3.50	3.00	1.00	.41	.34	1.28	20-2

# In-Line Valve Bodies

- 6061-T6 Aluminum
- Pressure Rating 3500 psi

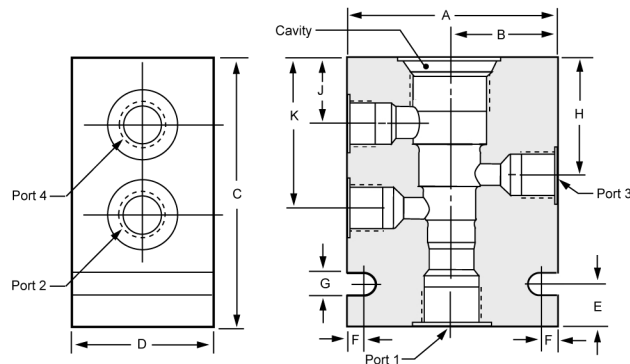


**For cartridge type 3-way valves**

Part Number	Cavity Threads	Port 1&2	Port 3	A	B	C	D	E	F	G	H	J	Common Cavity Designation
SFP10170	3/4-16	SAE-6	SAE-6	2.50	1.25	3.00	1.50	.75	.38	.28	1.14	.58	8-3
SFP10171	7/8-14	SAE-8	SAE-6	3.00	1.50	3.00	2.00	.75	.38	.28	1.38	.75	10-3
SFP10172	7/8-14	SAE-8	SAE-6	3.00	1.50	3.00	2.00	.75	.38	.28	1.41	.59	10-3S
SFP10173	1 5/16-12	SAE-12	SAE-6	4.00	2.00	3.50	2.50	1.00	.41	.34	1.50	.69	16-3S
SFP10174	1 5/16-12	SAE-12	SAE-12	4.00	2.00	4.50	2.50	1.00	.41	.34	2.12	1.00	16-3
SFP10175	1 5/8-12	SAE-16	SAE-16	4.50	2.25	5.25	3.00	1.00	.41	.34	2.84	1.25	20-3

# In-Line Valve Bodies

- 6061-T6 Aluminum
- Pressure Rating 3500 psi



**For cartridge type 4-way valves**

Part Number	Cavity Threads	Ports (4)	A	B	C	D	E	F	G	H	J	K	Common Cavity Designation
SFP10160	3/4-16	SAE-6	2.50	1.25	3.00	1.50	.50	.38	.28	1.15	.59	1.70	8-4
SFP10161	7/8-14	SAE-8	3.00	1.50	3.50	2.00	.50	.38	.28	1.38	.75	2.00	10-4
SFP10162	1 5/16-12	SAE-12	4.50	2.25	5.50	2.50	1.00	.41	.34	2.12	1.00	3.25	16-4
SFP10163	1 5/8-12	SAE-16	5.00	2.50	7.00	3.00	1.00	.41	.34	2.84	1.25	4.47	20-4