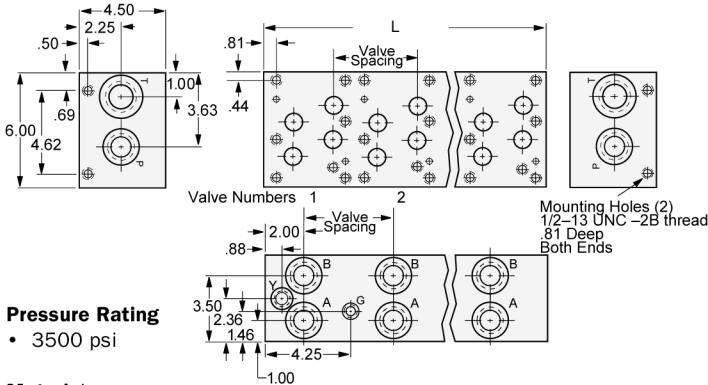


# D08 (OLD D06) Manifolds

## Parallel

5.25 spacing



### Pressure Rating

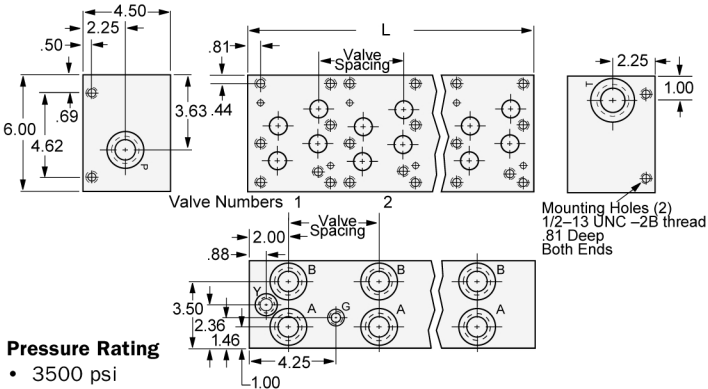
- 3500 psi

### Material

- 6061-T6 Aluminum

## Series

5.25 spacing



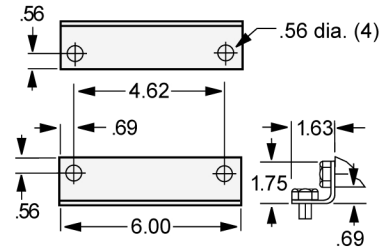
### Pressure Rating

- 3500 psi

### Material

- 6061-T6 Aluminum

## Brackets (Optional)



## Ports

- P, A, & B: 1 5/16-12 O-ring ports (SAE -16)
- T: 1 5/8-12 O-ring ports (SAE -20)
- Y: 9/16-18 O-ring port (SAE -6)
- X (optional; not shown): 7/16-20 O-ring port (SAE -4)
- G Gauge with plug: 7/16 -20 O-ring port (SAE -4)

## Parallel

## Series



TYPE	NO. OF VALVES	PART NUMBER	"L" INCHES	APPROX WT LBS.
Parallel	2	SFP10032	10.50	25.4
	3	SFP10033	15.75	38.1
	4	SFP10034	21.00	50.9
Series	2	SFP10067	10.50	25.4
	3	SFP10068	15.75	38.1

To add optional relief cavity, add "R" after part number and specify cavity (generic 10-2 or Sun T-10A cavities available). Example: 10004R R=10-2.

# D08 (Old D06) Subplate

## Side Ported

Part Number SFP10110

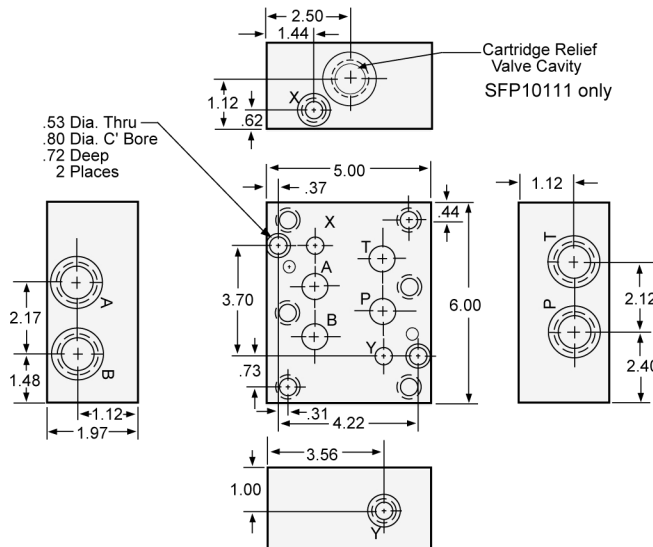
### Port Sizes

- P, T, A & B  
1 5/16-12 O-ring port (SAE -16)
- X & Y  
9/16-18 O-ring port (SAE -6)

Pressure Rating: 3500 psi

Material: 6061-T6 Aluminum

Two (2) 1/2-13 X 2 long socket head cap screws are furnished with each subplate (90016)



## Side Ported

with relief valve cavity  
Part Number SFP10111

The Relief Valve Cavity is machined to dimensions furnished by the following manufacturers:

Compact Controls	109
Delta	E Series
Fluid Controls	SC-316
Fluid Power Systems	10-2
HydraForce	VC-10-2
Modular Controls	C-10-2
Parker	C-10-2