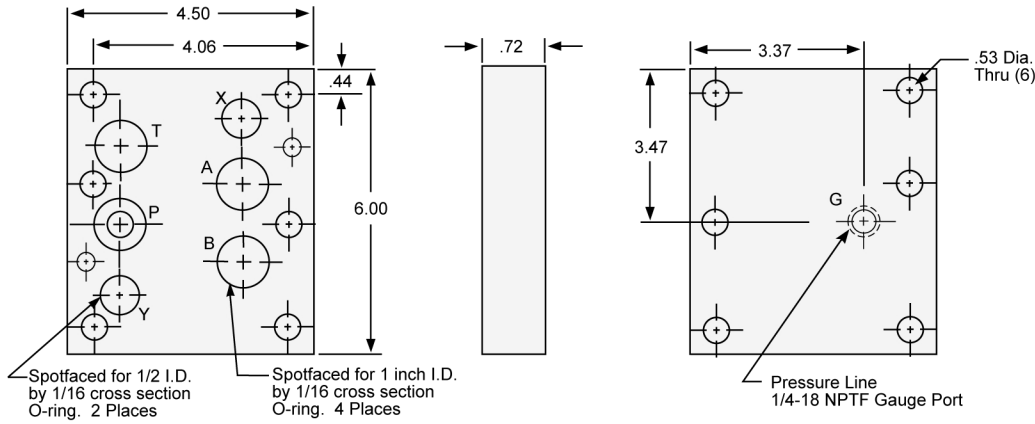
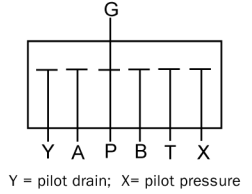


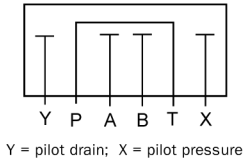
D08 (Old D06) Cover Plate



Part No. SFP10132
with gauge port



Part No. SFP10133

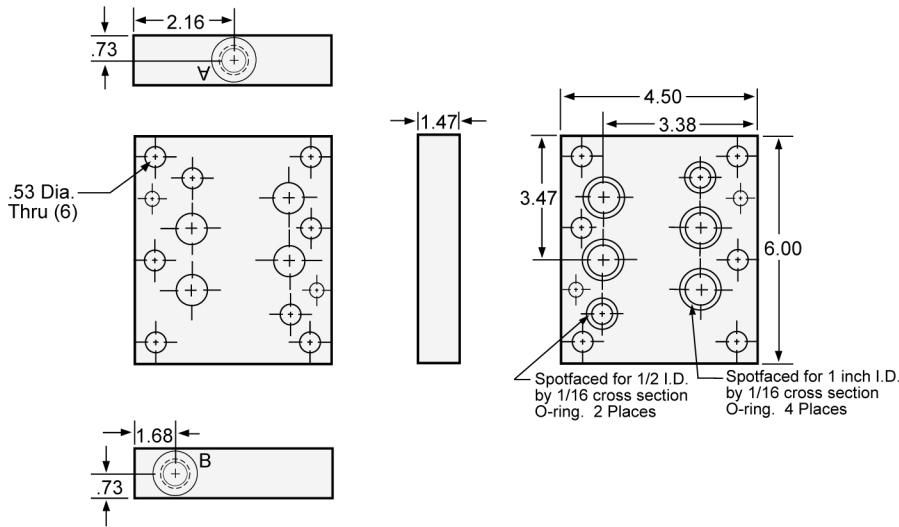


Pressure Rating: 3500 psi **Material:** 6061-T6 Aluminum

Items Furnished with Cover Plate:

- Six (6) 1/2-13 X 1-1/2 long socket head cap screws (90010)
- Two (2) small Viton O-rings (90003) AS 568A-014
- Four (4) large Viton O-rings (90005) AS 568A-022
- Two (2) Roll Pins (90007)

D08 (Old D06) Tapping Plate



Port Size: 3/4-16 O-ring ports (2) (SAE -8)

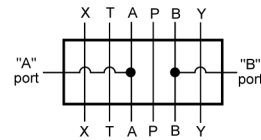
Pressure Rating: 3500 psi

Material: 6061-T6 Aluminum

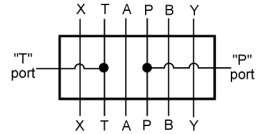
Items Furnished with Tapping Plate:

- Two (2) small Viton O-rings (90003) AS 568A-014
- Four (4) large Viton O-rings (90005) AS 568A-022
- Two (2) Roll Pins (90007)

A & B Ports
Part No. SFP10138



P & T Ports
Part No. SFP10139



Valve Adaptors

D03 (Old D01)	to	D05 (Old D02)	Part Number SFP10140 (A to B, B to A)
D03 (Old D01)	to	D05 (Old D02)	Part Number SFP10141 (High Flow A to A, B to B)
D03 (Old D01)	to	D08 (Old D06)	Part Number SFP10142
D05 (Old D02)	to	D08 (Old D06)	Part Number SFP10143
D05H (Old D02H)	to	D08 (Old D06)	Part Number SFP10144
D06 (Old D03)	to	D08 (Old D06)	Part Number SFP10145
D07 (Old D04)	to	D08 (Old D06)	Part Number SFP10146

All adaptors are 6061-T6 Aluminum, Pressure Rating 3500 psi.

All adaptors come with interface O-rings, mounting screws and alignment pins.