

D05 (Old D02) Subplate

Side Ported

Part Number SFP10105

Port Size

- 3/4-16 O-ring ports (4)
(SAE -8)

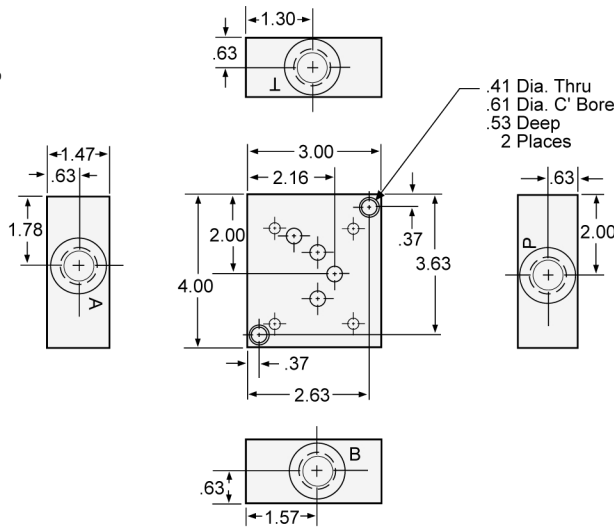
Pressure Rating

- 4500 psi

Material

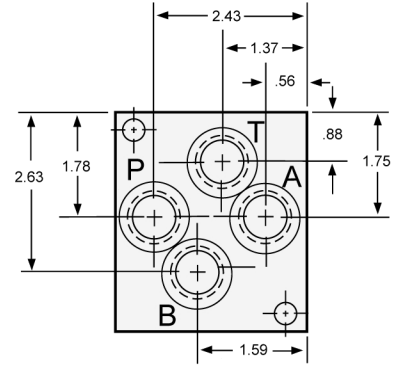
- 6061-T6 Aluminum

Two (2) 3/8-16 X 1 1/2 long socket head cap screws are furnished with each subplate (90002)



Back Ported

Part Number SFP10106



D05 (Old D02) Subplate

Dual Ported

Part Number SFP10107

Port Size

- 3/4-16 O-ring ports (6)
(SAE -8)

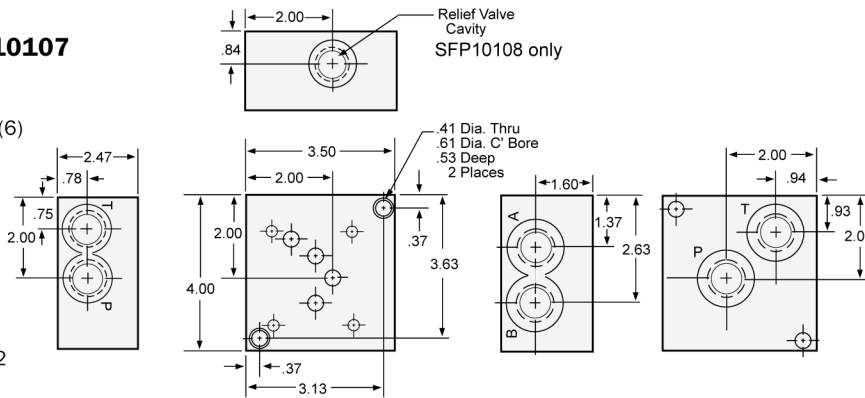
Pressure Rating

- 4500 psi

Material

- 6061-T6 Aluminum

Two (2) 3/8-16 X 2 1/2 long socket head cap screws are furnished with each subplate (90023)



Dual Ported

with relief valve cavity
Part Number SFP10108

The Relief Valve Cavity is machined to dimensions furnished by the following manufacturers:

Compact Controls	109
Delta	E Series
Fluid Controls	SC-316
Fluid Power Systems	10-2
HydraForce	VC-10-2
Modular Controls	C-10-2
Parker	C-10-2

D05 (Old D02) Subplate

Dual Ported with relief valve cavity

Part Number SFP10109

Port Size

- 3/4-16 O-ring ports (6)
(SAE -8)

Pressure Rating

- 4500 psi

Material

- 6061-T6 Aluminum

Two (2) 3/8-16 X 2 1/2 long socket head cap screws are furnished with each subplate (90023)

The Relief Valve Cavity is machined to dimensions furnished by the following manufacturers:

Compact Controls	109
Delta	E Series
Fluid Controls	SC-316
Fluid Power Systems	10-2
HydraForce	VC-10-2
Modular Controls	C-10-2
Parker	C-10-2

