


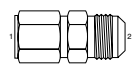
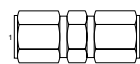
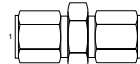
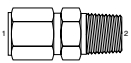
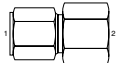
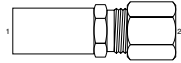
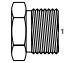
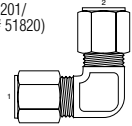
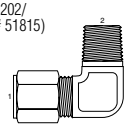
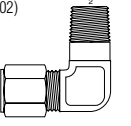
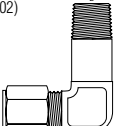
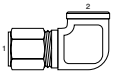
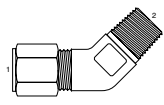
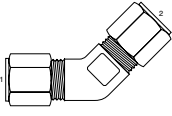
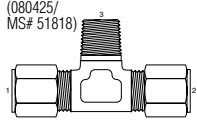
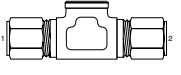
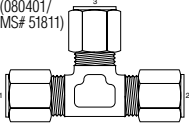
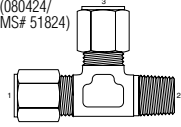
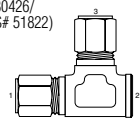
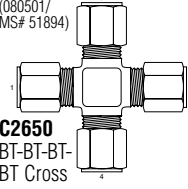
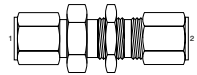
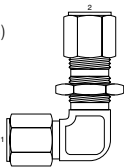
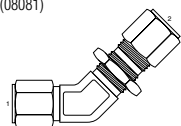
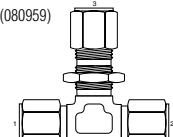
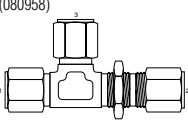
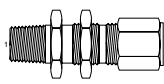
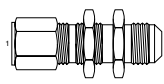
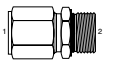
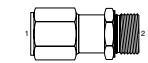
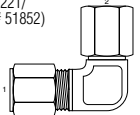
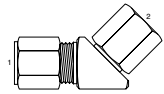
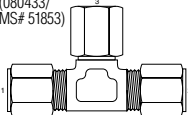
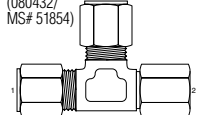
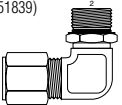
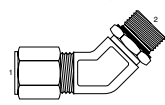
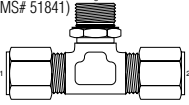
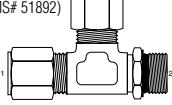


Flareless Bite Type Fittings

Flareless Bite Type Fittings

Brennan Industries, Inc.'s steel and stainless steel bite type fittings meet all design and performance requirements for hydraulic flareless tube fittings in Standard J514 published by the Society of Automotive Engineers (SAE).

(080112/MS# 51590)  C0304-C Cap Nut	(080110/MS# 51823)  C0318 Nut	(080115A/MS# 51825A)  C0319 Ferrule	 C2402 BT-MJ	(080101/MS# 51814)  C2403 BT-BT Tube Union Straight	(080119/MS# 51856)  C2403-LH BT-BT Tube Union Large Hex Straight
(080102/MS# 51819)  C2404 BT-MP Adapter Straight	(080103)  C2405 BT-FP Adapter Straight	 C2406 Tube-BT Reducer	(080109)  C2408 Plug	(080201/MS# 51820)  C2500 BT-BT Elbow 90°	(080202/MS# 51815)  C2501 BT-MP Elbow 90°
(071502)  C2501-L BT-MP Elbow 90° Long	(081602)  C2501-LL BT-MP Elbow 90° X-Long	(080203/MS# 51813)  C2502 BT-FP Elbow 90°	(080302/MS# 51817)  C2503 BT-MP Elbow 45°	 C2504 BT-BT Elbow 45°	(080425/MS# 51818)  C2601 BT-BT-MP Tee
(080427/MS# 51821)  C2602 BT-BT-FP Tee	(080401/MS# 51811)  C2603 BT-BT-BT Tee	(080424/MS# 51824)  C2605 BT-MP-BT Tee	(080426/MS# 51822)  C2606 BT-FP-BT Tee	(080501/MS# 51894)  C2650 BT-BT-BT-BT Cross	 C2700 BT-BT Bulkhead Union
(080701/MS# 51855)  C2701 BT-BT Bulkhead Union 90°	(08081)  C2702 BT-BT Bulkhead Union 45°	(080959)  C2703 BT-BT-BT Bulkhead Branch Tee	(080958)  C2704 BT-BT-BT Bulkhead Tee	 C2706 BT-MP Bulkhead	 C2707 BT-MJ Bulkhead
(08120/MS# 51843)  C6400-O BT-MORB	(080122)  C6400-L-O BT-MORB Long	(080221/MS# 51852)  C6500 BT-BTS 90°	(080321)  C6502 BT-BTS 45°	(080433/MS# 51853)  C6600 BT-BT-BTS Tee	(080432/MS# 51854)  C6602 BT-BTS-BT Tee
(080220/MS# 51839)  C6801-NWO BT-MAORB 90°	(080320/MS# 51842)  C6802-NWO BT-MAORB 45°	(080429/MS# 51841)  C6803-NWO BT-BT-MAORB Tee	(080428/MS# 51892)  C6804-NWO BT-MAORB-BT Tee		

Flareless Bite Type Fittings

Assembly Instructions

The assembly of Brennan Steel and Stainless Steel Bite-Type Fittings involves four steps:

1) cutting, deburring and cleaning; 2) pre-setting the ferrule to the tubing; 3) ferrule bite inspection; and 4) installation.

1 Cutting, Deburring & Cleaning

1. Square-cut the seamless or welded-and-drawn tubing using a hacksaw with a fine-tooth blade, or a circular-toothed cut-off saw. Use only tubing that is fully annealed for bending and flaring.
2. Remove all burrs and sharp edges on the tube by lightly deburring the I.D. and O.D. Emery paper may be used to perform this task.
3. Wipe the tube end completely with a clean cloth. Be sure to remove all metal chips from the tube end.

2 Pre-Setting Ferrule to the Tubing

This procedure must be followed to ensure the proper location of the ferrule to the tubing.

1. Lubricate the fitting body thread and the thread of the nut.
2. Slip the nut and ferrule over the deburred end of the tube. The long, straight end of the ferrule must point toward the deburred tube end.
3. Lubricate the ferrule.
4. Position the deburred tube end squarely on the shoulder of the fitting body.
5. Manually screw the nut onto the fitting body until it is finger-tight.
6. Put a reference mark on the nut and the tube.
7. Hold the tube firmly on the fitting body and tighten the nut an additional $1\frac{1}{4}$ turns. Proper

assembly of bite-type fittings is dependent upon the ferrule traveling a prescribed distance into the fitting throat. This allows it to "bite" into the tube, creating a strong grip and seal.

8. The use of a Ferulset tool is recommended for sizes -08 through -32".

3 Ferrule Bite Inspection

The following inspection procedures must be completed prior to final assembly.

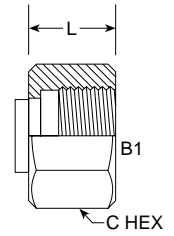
1. Disassemble the fitting.
2. The tube surface must have a raised ridge of metal that is at least 50% of the thickness of the leading edge of the ferrule.
3. There must be a slight bow to the pilot section of the ferrule.
4. The tail of the ferrule should be snug against the tube.
5. A slight indentation around the deburred end of the tube indicates that the tube was bottomed in the fitting. If this indentation is not visible, the ferrule may not be properly seated.
6. Do not rotate the ferrule.

4 Installation

1. Finger-tighten the nut.
2. Wrench-tighten the nut another $\frac{1}{3}$ to $\frac{1}{2}$ turn.

Cap Nut C0304-C Series

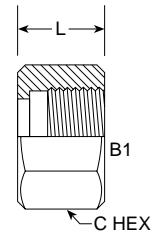
SAE# 080112 / MS# 51590



PART NO. SIZE	TUBE O.D.	B1 THREAD	L LGTH M.M.	C HEX	C HEX	M.M.	Standard Material From Stock				
							S	FG	SS	B	
C0304-C-02	1/8	5/16-24	0.500	12.70	3/8	0.375	9.52	•		•	
C0304-C-04	1/4	7/16-20	0.590	14.99	9/16	0.562	15.87	•		•	
C0304-C-05	5/16	1/2-20	0.610	15.49	5/8	0.625	15.87	•		•	
C0304-C-06	3/8	9/16-18	0.630	16.00	11/16	0.688	17.47	•		•	
C0304-C-08	1/2	3/4-16	0.750	19.05	7/8	0.875	22.22	•		•	
C0304-C-10	5/8	7/8-14	0.840	21.34	1	1.000	25.40	•		•	
C0304-C-12	3/4	1 1/16-12	0.910	23.11	1 1/4	1.250	31.75	•		•	
C0304-C-16	1	1 5/16-12	1.020	25.91	1 1/2	1.500	38.10	•		•	
C0304-C-20	1 1/4	1 5/8-12	1.060	26.92	2	2.000	50.80	•		•	

Nut C0318 Series

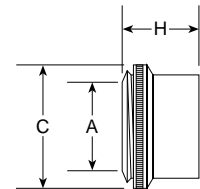
SAE# 080110 / MS# 51823



PART NO. SIZE	TUBE O.D.	B1 THREAD	L LGTH M.M.	C HEX	C HEX	M.M.	Standard Material From Stock				
							S	FG	SS	B	
C0318-02	1/8	5/16-24	0.540	13.72	3/8	0.375	9.52	•		•	
C0318-03	3/16	3/8-24	0.600	15.24	7/16	0.438	11.12	•		•	
C0318-04	1/4	7/16-20	0.610	15.49	9/16	0.562	14.27	•		•	•
C0318-05	5/16	1/2-20	0.670	17.02	5/8	0.625	15.87	•		•	
C0318-06	3/8	9/16-18	0.720	18.29	11/16	0.688	17.47	•		•	•
C0318-08	1/2	3/4-16	0.840	21.34	7/8	0.875	22.22	•		•	
C0318-10	5/8	7/8-14	0.970	24.64	1	1.000	25.40	•		•	
C0318-12	3/4	1 1/16-12	1.020	25.91	1 1/4	1.250	31.75	•		•	
C0318-14	7/8	1 3/16-12	1.080	27.43	1 3/8	1.375	34.92	•		•	
C0318-16	1	1 5/16-12	1.120	28.45	1 1/2	1.500	38.10	•		•	
C0318-20	1 1/4	1 5/8-12	1.220	30.99	2	2.000	50.80	•		•	
C0318-24	1 1/2	1 7/8-12	1.410	35.81	2 1/4	2.250	57.15	•		•	
C0318-32	2	2 1/2-12	1.740	44.20	2 7/8	2.875	73.02	•		•	

Ferrule C0319 Series

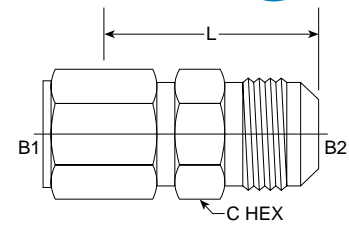
SAE# 080115A / MS# 51825A



PART NO. SIZE	TUBE O.D.	A	C	H	Standard Material From Stock			
					S	FG	SS	B
C0319-02	1/8	0.130	0.240	0.290	•		•	
C0319-03	3/16	0.190	0.310	0.330	•		•	
C0319-04	1/4	0.260	0.370	0.360	•		•	•
C0319-05	5/16	0.320	0.430	0.370	•		•	
C0319-06	3/8	0.380	0.500	0.390	•		•	•
C0319-08	1/2	0.510	0.660	0.430	•		•	
C0319-10	5/8	0.630	0.780	0.440	•		•	
C0319-12	3/4	0.760	0.930	0.480	•		•	
C0319-14	7/8	0.880	1.060	0.480	•		•	
C0319-16	1	1.010	1.190	0.480	•		•	
C0319-20	1 1/4	1.260	1.450	0.480	•		•	
C0319-24	1 1/2	1.510	1.690	0.480	•		•	
C0319-32	2	2.010	2.210	0.051	•		•	

Flareless Bite Type Fittings

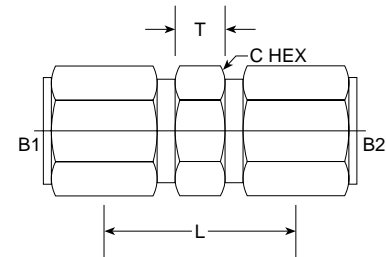
BT-MJ C2402 Series



PART NO. SIZE	TUBE O.D.	B1 THREAD	B2 THREAD	L LGTH	M.M.	C HEX	C HEX	M.M.	Standard Material From Stock			
									S	FG	SS	B
C2402-04-04	1/4	7/16-20	1/4-18	1.1875	30.00	1/2	0.50	12.70			•	
C2402-06-06	3/8	9/16-18	9/16-18	1.280	32.51	5/8	0.625	15.87	•		•	
C2402-08-08	1/2	3/4-16	3/4-16	1.470	37.34	13/16	0.812	20.62	•		•	
NEW C2402-08-12											•	
C2402-12-12	3/4	1 1/16-12	1 1/16-12	1.940	49.28	1 1/8	1.125	28.57	•		•	
C2402-16-16	1	1 5/16-12	1-11 1/2	1.970	50.00	1 5/8	1.625	41.28	•			
C2402-20-20	1 1/4	1 5/8-12	1 1/2-11 1/2	2.000	51.00	1 3/4	1.75	44.45	•			

BT-BT Tube Union Straight C2403 Series

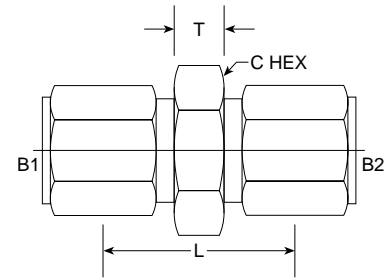
SAE# 080101 / MS# 51814



PART NO. SIZE	TUBE O.D.	B1 THREAD	B2 THREAD	L LGTH	M.M.	T WIDTH	M.M.	C HEX	C HEX	M.M.	Standard Material From Stock			
											S	FG	SS	B
C2403-02-02	1/8	5/16-24	5/16-24	1.020	25.91	0.220	5.59	7/16	0.438	11.12	•		•	
C2403-03-03	3/16	3/8-24	3/8-24	1.110	28.19	0.220	5.59	7/16	0.438	11.12	•		•	
C2403-04-04	1/4	7/16-20	7/16-20	1.190	30.23	0.220	5.59	1/2	0.500	12.70	•		•	
C2403-05-05	5/16	1/2-20	1/2-20	1.190	30.23	0.220	5.59	9/16	0.562	14.27	•		•	
C2403-06-04	3/8 1/4	9/16-18	7/16-20	1.240	31.50	0.250	6.35	5/8	0.625	15.87	•		•	
C2403-06-06	3/8	9/16-18	9/16-18	1.220	30.99	0.250	6.35	5/8	0.625	15.87	•		•	
C2403-08-08	1/2	3/4-16	3/4-16	1.420	36.07	0.250	6.35	13/16	0.812	20.62	•		•	
C2403-10-10	5/8	7/8-14	7/8-14	1.610	40.89	0.310	7.87	15/16	0.038	23.82	•		•	
C2403-12-08	3/4	1 1/16-12	1/2-14	1.690	42.93	0.380	9.65	1 1/4	1.125	28.58			•	
C2403-12-12	3/4	1 1/16-12	1 1/16-12	1.810	45.97	0.380	9.65	1 1/8	1.125	28.57	•		•	
C2403-14-14	7/8	1 3/16-12	1 3/16-12	1.810	45.97	0.380	9.65	1 1/8	1.125	28.57	•		•	
C2403-16-16	1	1 5/16-12	1 5/16-12	1.810	45.97	0.380	9.65	1 3/8	1.375	34.92	•		•	
C2403-20-20	1 1/4	1 5/8-12	1 5/8-12	1.890	48.01	0.460	11.68	1 11/16	1.688	42.87	•		•	
C2403-24-24	1 1/2	1 7/8-12	1 7/8-12	1.960	49.78	0.530	13.46	2	2.000	50.80	•		•	
C2403-32-32	2	2 1/2-12	2 1/2-12	2.110	53.59	0.680	17.27	2 5/8	2.625	66.67	•		•	

BT-BT Tube Union Large Hex Straight C2403-LH Series

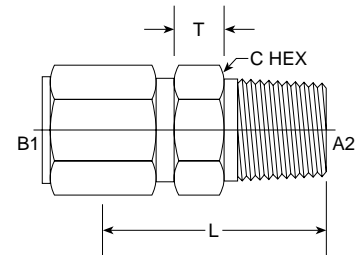
SAE# 080119 / MS# 51856



PART NO. SIZE	TUBE O.D.	B1 THREAD	B2 THREAD	L LGTH	M.M.	T WIDTH	M.M.	C HEX	C HEX	M.M.	Standard Material From Stock			
											S	FG	SS	B
C2403-LH-04-04	1/4	7/16-20	7/16-20	1.190	30.23	0.220	5.588	11/16	0.688	17.47	•		•	
C2403-LH-06-06	3/8	9/16-18	9/16-18	1.230	31.24	0.250	6.350	13/16	0.812	20.62	•		•	
C2403-LH-08-06	1/2 3/8	3/4-16	9/16-18	1.220	30.99	0.250	6.350	1	1.000	25.40	•		•	
C2403-LH-08-08	1/2	3/4-16	3/4-16	1.420	36.07	0.250	6.350	1	1.000	25.40	•		•	
C2403-LH-10-10	5/8	7/8-14	7/8-14	1.330	33.78	0.310	7.874	1 1/8	1.125	28.57	•		•	
C2403-LH-12-12	3/4	1 1/16-12	1 1/16-12	1.610	40.89	0.380	9.652	1 3/8	1.375	34.92	•		•	
C2403-LH-16-16	1	1 5/16-12	1 5/16-12	1.810	45.97	0.380	9.652	1 5/8	1.625	41.27	•		•	

BT-MP Adapter Straight C2404 Series

SAE# 080102 / MS# 51819

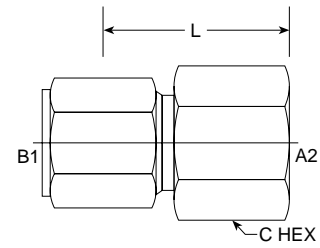


PART NO. SIZE	TUBE O.D.	B1 THREAD	A2 NPTF	L LGTH	M.M.	T WIDTH	M.M.	C HEX	C HEX	M.M.	Standard Material From Stock			
											S	FG	SS	B
C2404-02-02	1/8	5/16-24	1/8-27	1.040	26.42	0.220	5.59	7/16	0.438	11.12	•		•	
C2404-02-04	1/8	5/16-24	1/4-18	1.250	31.75	0.250	6.35	9/16	0.562	14.27	•		•	
NEW C2404-03-02											•		•	
C2404-04-02	1/4	7/16-20	1/8-27	1.120	28.45	0.250	6.35	1/2	0.500	12.70	•		•	•
C2404-04-04	1/4	7/16-20	1/4-18	1.330	33.78	0.250	6.35	9/16	0.562	14.27	•		•	•
C2404-04-06	1/4	7/16-20	3/8-18	1.330	33.78	0.250	6.35	3/4	0.750	19.05	•		•	
C2404-04-08	1/4	7/16-20	1/2-14	1.580	40.13	0.250	6.35	7/8	0.875	22.22	•		•	
C2404-05-02	5/16	1/2-20	1/8-27	1.120	28.45	0.250	6.35	9/16	0.562	14.27	•		•	
C2404-05-04	5/16	1/2-20	1/4-18	1.330	33.78	0.250	6.35	9/16	0.562	14.27	•		•	
C2404-05-06	5/16	1/2-20	3/8-18	1.420	36.09	0.250	6.35	3/4	0.750	19.05	•		•	
C2404-06-02	3/8	9/16-18	1/8-27	1.160	29.46	0.250	6.35	5/8	0.625	15.87	•		•	
C2404-06-04	3/8	9/16-18	1/4-18	1.340	34.04	0.250	6.35	5/8	0.625	15.87	•		•	
C2404-06-06	3/8	9/16-18	3/8-18	1.340	34.04	0.250	6.35	13/16	0.812	20.62	•		•	•
C2404-06-08	3/8	9/16-18	1/2-14	1.600	40.65	0.250	6.35	15/16	0.938	23.82	•		•	
C2404-08-04	1/2	3/4-16	1/4-18	1.440	36.58	0.250	6.35	13/16	0.812	20.62	•		•	
C2404-08-06	1/2	3/4-16	3/8-18	1.440	36.58	0.250	6.35	13/16	0.812	20.62	•		•	
C2404-08-08	1/2	3/4-16	1/2-14	1.690	42.93	0.310	7.87	15/16	0.938	23.82	•		•	
C2404-08-12	1/2	3/4-16	3/4-14	1.750	44.45	0.380	9.65	1-1/8	1.125	28.57	•		•	
C2404-10-06	5/8	7/8-14	3/8-16	1.560	39.62	0.380	9.65	15/16	0.938	23.82	•		•	
C2404-10-08	5/8	7/8-14	1/2-14	1.750	44.45	0.310	7.87	15/16	0.938	23.82	•		•	
C2404-10-12	5/8	7/8-14	3/4-14	1.830	46.48	0.380	9.65	1 1/8	1.125	28.57	•		•	
C2404-12-08	3/4	1 1/16-12	1/2-14	1.880	47.75	0.380	9.65	1 1/8	1.125	28.57	•		•	
C2404-12-12	3/4	1 1/16-12	3/4-14	1.880	47.75	0.380	9.65	1 1/8	1.125	28.57	•		•	
C2404-12-16	3/4	1 1/16-12	1-11 1/2	2.080	52.83	0.380	9.65	1 3/8	1.375	34.92	•		•	
NEW C2404-14-12											•		•	
C2404-16-12	1	1 5/16-12	3/4-14	1.880	47.75	0.380	9.65	1 3/8	1.375	34.92	•		•	
C2404-16-16	1	1 5/16-12	1-11 1/2	2.070	52.58	0.380	9.65	1 3/8	1.375	34.92	•		•	
C2404-20-20	1 1/4	1 5/8-12	1 1/4-11 1/2	2.180	55.37	0.460	11.68	1 11/16	1.688	42.93	•		•	
C2404-24-20	1 1/2	1 7/8-12	1 1/4-11 1/2	2.280	57.91	0.562	14.22	2	2.000	50.80	•		•	
C2404-24-24	1 1/2	1 7/8-12	1 1/2-11 1/2	2.280	57.91	0.530	13.46	2	2.000	50.80	•		•	
C2404-32-32	2	2 1/2-12	2-11 1/2	2.460	62.48	0.680	17.27	2 5/8	2.625	66.80	•		•	

Flareless Bite Type Fittings

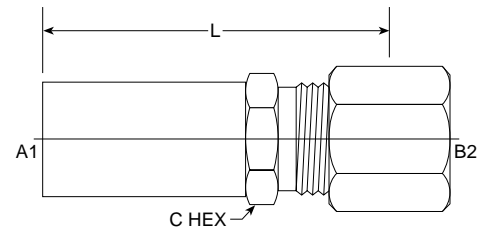
BT-FP Adapter Straight C2405 Series

SAE # 080103



PART NO. SIZE	TUBE O.D.	B1 THREAD	A2 NPTF	L LGTH	M.M.	C HEX	C HEX	M.M.	Standard Material From Stock			
									S	FG	SS	B
C2405-02-02	1/8	5/16-24	1/8-27	1.050	26.67	9/16	0.562	14.27	•		•	
C2405-04-02	1/4	7/16-20	1/8-27	1.090	27.70	9/16	0.562	14.27	•		•	
C2405-04-04	1/4	7/16-20	1/4-18	1.290	32.77	3/4	0.750	19.05	•		•	
C2405-05-02	5/16	1/2-20	1/8-27	1.080	27.45	9/16	0.562	14.27	•		•	
NEW C2405-05-04											•	
C2405-06-04	3/8	9/16-18	1/4-28	1.310	33.27	3/4	0.750	19.05	•		•	
C2405-06-06	3/8	9/16-18	3/8-18	1.340	34.04	7/8	0.875	22.22	•		•	
C2405-06-08	3/8	9/16-18	1/2-14	1.590	40.39	1 1/8	1.125	28.57	•		•	
C2405-08-04	1/2	3/4-16	1/4-18	1.460	37.08	13/16	0.812	20.62	•		•	
C2405-08-06	1/2	3/4-16	3/8-18	1.470	37.34	7/8	0.875	22.22	•		•	
C2405-08-08	1/2	3/4-16	1/2-14	1.690	42.93	1 1/8	1.125	28.57	•		•	
NEW C2405-10-06											•	
C2405-10-08	5/8	7/8-14	1/2-14	1.770	44.96	1 1/8	1.125	28.57	•		•	
C2405-12-12	3/4	1 1/16-12	3/4-14	1.890	48.01	1 3/8	1.375	34.92	•		•	
NEW C2405-14-12											•	
C2405-16-16	1	1 15/16-12	1-11 1/2	2.130	54.10	1 5/8	1.625	41.27	•		•	
C2405-20-20	1 1/4	1 5/8-12	1 1/4-11 1/2	2.220	56.39	2	2.000	50.80	•		•	
C2405-24-24	1 1/2	1 7/8-12	1 1/2-11 1/2	2.230	56.64	2 3/8	2.375	60.32	•		•	

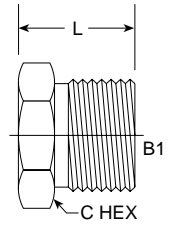
Tube-BT Reducer C2406 Series



PART NO. SIZE	TUBE O.D.	A1 TUBE	B2 THREAD	L LGTH	M.M.	C HEX	C HEX	M.M.	Standard Material From Stock			
									S	FG	SS	B
C2406-06-04	3/8	0.375	7/16-20	1.610	40.89	1/2	0.500	12.70	•		•	
C2406-08-04	1/2	0.500	7/16-20	1.730	43.94	9/16	0.562	14.27	•		•	
C2406-08-06	1/2	0.500	9/16-18	1.770	44.96	9/16	0.562	14.27	•		•	
C2406-10-08	5/8	0.625	7/8-14	1.950	49.53	13/16	0.812	20.62	•		•	
C2406-12-06	3/4	0.750	1 1/16-12	1.940	49.28	13/16	0.812	20.62	•		•	
C2406-12-08	3/4	0.750	1 1/16-12	2.030	51.56	13/16	0.812	20.62	•		•	
C2406-16-08	1	1.000	1 5/16-12	2.050	52.07	1 1/16	1.062	26.97	•		•	
C2406-16-12	1	1.000	1 5/16-12	2.250	57.15	1 1/8	1.125	28.57	•		•	
C2406-20-16	1 1/4	1.250	1 5/8-12	2.280	57.91	1 3/8	1.375	34.92	•		•	

Plug C2408 Series

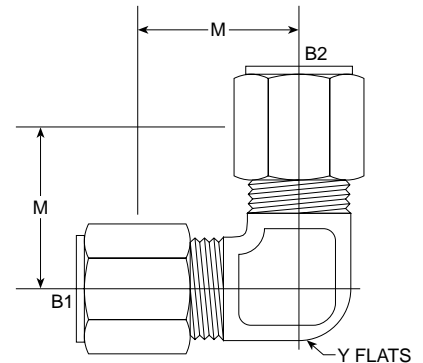
SAE # 080109



PART NO. SIZE	TUBE O.D.	B1 THREAD	L LGTH	M.M.	C HEX	C HEX	M.M.	Standard Material From Stock			
								S	FG	SS	B
C2408-02	1/8	5/16-24	0.630	16.00	7/16	0.438	11.12	•			
C2408-04	1/4	7/16-20	0.710	18.03	1/2	0.500	12.70	•		•	
C2408-06	3/8	9/16-18	0.750	19.05	5/8	0.625	15.87	•		•	
C2408-08	1/2	3/4-16	0.850	21.59	13/16	0.812	20.62	•		•	
C2408-10	5/8	7/8-14	0.970	24.64	15/16	0.938	23.82	•		•	
C2408-12	3/4	1 1/16-12	1.100	27.94	1 1/8	1.125	28.57	•		•	
C2408-16	1	1 5/16-12	1.100	27.94	1 3/8	1.375	34.92	•		•	
C2408-20	1 1/4	1 5/8-12	1.180	29.97	1 11/16	1.688	42.87			•	

BT-BT Elbow 90° C2500 Series

SAE # 080201 / MS # 51820

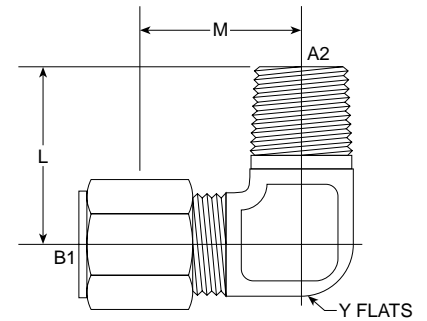


PART NO. SIZE	TUBE O.D.	B1 THREAD	B2 THREAD	M LGTH	M.M.	Y FLATS	Y FLATS	M.M.	Standard Material From Stock			
									S	FG	SS	B
C2500-02-02	1/8	5/16-24	5/16-24	0.770	19.56	7/16	0.438	11.12			•	
C2500-04-04	1/4	7/16-20	7/16-20	0.890	22.61	7/16	0.438	11.12		•	•	
C2500-05-05	5/16	1/2-20	1/2-20	0.950	24.13	9/16	0.562	14.27		•	•	
C2500-06-06	3/8	9/16-18	9/16-18	1.050	26.67	9/16	0.562	14.27		•	•	
C2500-08-08	1/2	3/4-16	3/4-16	1.250	31.75	3/4	0.750	19.05		•	•	
C2500-10-10	5/8	7/8-14	7/8-14	1.420	36.07	7/8	0.875	22.22		•	•	
C2500-12-12	3/4	1 1/16-12	1 1/16-12	1.580	40.13	1 1/16	1.062	26.97		•	•	
C2500-16-16	1	1 5/16-12	1 5/16-12	1.730	43.94	1 5/16	1.312	33.32		•	•	
C2500-20-20	1 1/4	1 5/8-12	1 5/8-12	1.890	48.01	1 5/8	1.625	41.27		•	•	
C2500-24-24	1 1/2	1 7/8-12	1 7/8-12	2.020	51.31	1 7/8	1.875	47.62			•	

Flareless Bite Type Fittings

BT-MP Elbow 90° C2501 Series

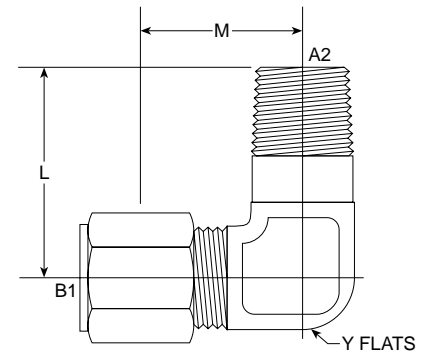
SAE# 080202 / MS# 51815



PART NO. SIZE	TUBE O.D.	B1 THREAD	A2 NPTF	L LGTH	M.M.	M LGTH	M.M.	Y FLATS	Y FLATS	M.M.	Standard Material From Stock			
											S	FG	SS	B
C2501-02-02	1/8	5/16-24	1/8-27	0.720	18.29	0.780	19.81	7/16	0.438	11.12		•	•	
C2501-03-02	3/16	3/8-24	1/8-27	0.720	18.29	0.840	21.34	7/16	0.438	11.12		•	•	
C2501-04-02	1/4	7/16-20	1/8-27	0.780	19.81	0.890	22.61	7/16	0.438	11.12		•	•	
C2501-04-04	1/4	7/16-20	1/4-18	1.090	27.69	1.030	26.16	9/16	0.562	14.27		•	•	
C2501-04-06	1/4	7/16-20	3/8-18	1.220	30.99	1.130	28.70	13/16	0.812	20.62		•	•	
C2501-04-08	1/4	7/16-20	3/4-16	1.470	37.34	1.220	30.99	7/8	0.875	22.22		•	•	
C2501-05-02	5/16	1/2-20	1/8-27	0.810	20.57	0.950	24.13	9/16	0.562	14.27		•	•	
C2501-05-04	5/16	1/2-20	1/4-18	1.090	27.69	1.030	26.16	9/16	0.562	14.27		•	•	
C2501-06-02	3/8	9/16-18	1/8-27	0.880	22.35	1.050	26.67	9/16	0.562	14.27		•	•	
C2501-06-04	3/8	9/16-18	1/4-18	1.090	27.69	1.050	26.67	9/16	0.562	14.27		•	•	
C2501-06-06	3/8	9/16-18	3/8-18	1.220	30.99	1.140	28.96	3/4	0.750	19.05		•	•	
C2501-06-08	3/8	9/16-18	1/2-14	1.470	37.34	1.230	31.24	7/8	0.875	22.22		•	•	
C2501-08-04	1/2	3/4-16	1/4-18	1.160	29.46	1.250	31.75	3/4	0.750	19.05		•	•	
C2501-08-06	1/2	3/4-16	3/8-18	1.220	30.99	1.250	31.75	3/4	0.750	19.05		•	•	
C2501-08-08	1/2	3/4-16	1/2-14	1.470	37.34	1.340	34.04	7/8	0.875	22.22		•	•	
C2501-08-12	1/2	3/4-16	3/4-14	1.590	40.39	1.420	36.07	1 1/16	1.062	26.97		•	•	
C2501-10-06	5/8	7/8-14	3/8-18	1.300	33.02	1.420	36.07	7/8	0.875	22.22		•	•	
C2501-10-08	5/8	7/8-14	1/2-14	1.470	37.34	1.420	36.07	7/8	0.875	22.22		•	•	
C2501-10-12	5/8	7/8-14	3/4-14	1.590	40.39	1.430	36.32	1 1/16	1.062	26.97		•	•	
C2501-12-08	3/4	1 1/16-12	1/2-14	1.590	40.39	1.580	40.13	1 1/16	1.062	26.97		•	•	
C2501-12-12	3/4	1 1/16-12	3/4-14	1.590	40.39	1.580	40.13	1 1/16	1.062	26.97		•	•	
C2501-16-12	1	1 5/16-12	3/4-14	1.780	45.21	1.730	43.95	1 3/8	1.375	34.92		•	•	
C2501-16-16	1	1 5/16-12	1-11 1/2	1.970	50.04	1.730	43.94	1 5/16	1.312	33.32		•	•	
C2501-20-20	1 1/4	1 5/8-12	1 1/4-11 1/2	2.380	60.45	1.890	48.01	1 5/8	1.625	41.27		•	•	
C2501-24-24	1 1/2	1 7/8-12	1 1/2-11 1/2	2.640	67.06	2.020	51.31	1 7/8	1.875	47.62		•	•	
C2501-32-32	2	2 1/2-12	2-11 1/2	3.000	76.20	2.450	62.23	2 9/16	2.562	65.07		•	•	

BT-MP Elbow 90° Long C2501-L Series

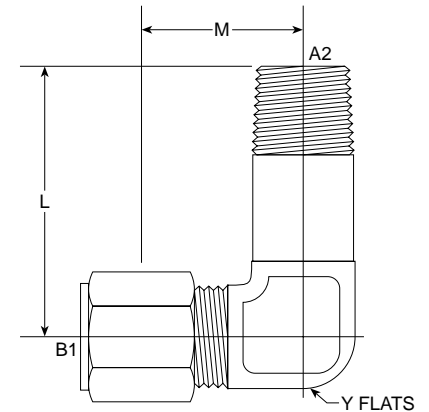
SAE # 071502



PART NO. SIZE	TUBE O.D.	B1 THREAD	A2 NPTF	L LGTH	M.M.	M LGTH	M.M.	Y FLATS	Y FLATS	M.M.	Standard Material From Stock			
											S	FG	SS	B
C2501-L-04-02	1/4	7/16-20	1/8-27	1.170	29.72	0.890	22.61	7/16	0.438	11.12				•
C2501-L-04-04	1/4	7/16-20	1/4-18	1.580	40.13	1.030	26.16	9/16	0.562	14.27				•
C2501-L-05-04	5/16	1/2-20	1/4-18	1.440	36.58	1.030	26.16	9/16	0.562	14.27				•
C2501-L-06-06	3/8	9/16-18	3/8-18	1.830	46.48	1.140	28.96	3/4	0.750	19.05				•
C2501-L-12-12	3/4	1 1/16-12	3/4-14	2.440	61.98	1.580	40.13	1 1/16	1.062	26.97				•
C2501-L-16-16	1	1 5/16-12	1-11 1/2	3.010	76.45	1.730	43.94	1 5/16	1.312	33.32				•
C2501-L-20-20	1 1/4	1 5/8-12	1 1/4-11 1/2	3.690	93.73	1.890	48.01	1 5/8	1.625	41.27				•
C2501-L-24-24	1 1/2	1 7/8-12	1 1/2-11 1/2	4.100	104.14	2.020	51.31	1 7/8	1.875	47.62				•
C2501-L-32-32	2	2 1/2-12	2-11 1/2	4.810	122.17	2.450	62.23	2 1/2	2.500	63.50				•

BT-MP Elbow 90° X-Long C2501-LL Series

SAE # 081602

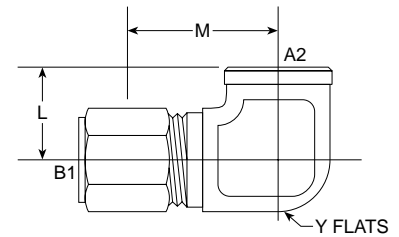


PART NO. SIZE	TUBE O.D.	B1 THREAD	A2 NPTF	L LGTH	M.M.	M LGTH	M.M.	Y FLATS	Y FLATS	M.M.	Standard Material From Stock			
											S	FG	SS	B
C2501-LL-04-02	1/4	7/16-20	1/8-27	1.560	39.62	0.890	22.61	7/16	0.438	11.12				•
C2501-LL-04-04	1/4	7/16-20	1/4-18	2.030	51.56	1.030	26.16	9/16	0.562	14.27				•
C2501-LL-05-02	5/16	1/2-20	1/8-27	1.630	41.40	0.950	24.13	9/16	0.562	14.27				•
C2501-LL-06-04	3/8	9/16-18	1/4-18	2.070	52.58	1.050	26.67	9/16	0.562	14.27				•
C2501-LL-08-06	1/2	3/4-16	3/8-18	2.420	61.47	1.250	31.75	3/4	0.750	19.05				•
C2501-LL-10-08	5/8	7/8-14	1/2-14	2.870	72.90	1.420	36.07	7/8	0.875	22.22				•
C2501-LL-12-12	3/4	1 1/16-12	3/4-14	3.280	83.31	1.580	40.13	1 1/16	1.062	26.97				•
C2501-LL-16-16	1	1 5/16-12	1-11 1/2	4.050	102.82	1.730	43.94	1 5/16	1.312	33.32				•
C2501-LL-20-20	1 1/4	1 5/8-12	1 1/4-11 1/2	5.000	127.00	1.890	48.01	1 5/8	1.625	41.27				•
C2501-LL-24-24	1 1/2	1 7/8-12	1 1/2-11 1/2	5.550	140.97	2.020	51.32	1 7/8	1.875	47.62				•
C2501-LL-32-32	2	2 1/2-12	2-11 1/2	6.630	168.40	2.450	62.23	2 1/2	2.500	63.50				•

Flareless Bite Type Fittings

BT-FP Elbow 90° C2502 Series

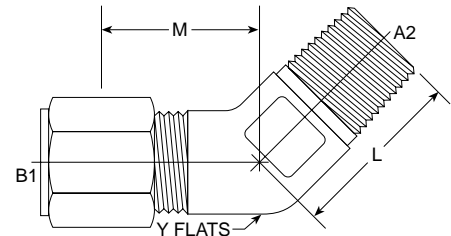
SAE# 080203 / MS# 51813



PART NO. SIZE	TUBE O.D.	B1 THREAD	A2 NPTF	L LGTH	M.M.	M LGTH	M.M.	Y FLATS	Y FLATS	M.M.	Standard Material From Stock			
											S	FG	SS	B
C2502-04-02	1/4	7/16-20	1/8-27	0.660	16.76	0.890	22.61	9/16	0.562	14.27		•	•	
C2502-04-04	1/4	7/16-20	1/4-18	0.880	22.35	1.030	26.16	3/4	0.750	19.05		•	•	
C2502-05-02	5/16	1/2-20	1/8-27	0.660	16.76	0.950	24.13	9/16	0.562	14.27		•	•	
C2502-06-04	3/8	9/16-18	1/4-18	0.880	22.35	1.050	26.67	3/4	0.750	19.05		•	•	
C2502-06-06	3/8	9/16-18	3/8-18	1.020	25.91	1.130	28.70	7/8	0.875	22.22		•	•	
C2502-08-04	3/8	3/4-16	1/4-18	0.880	22.35	1.230	31.24	3/4	0.750	19.05		•	•	
C2502-08-06	3/8	3/4-16	3/8-18	1.020	25.91	1.230	31.24	7/8	0.875	22.22		•	•	
C2502-08-08	1/2	3/4-16	1/2-14	1.230	31.24	1.340	34.04	1 1/16	1.062	26.97		•	•	
C2502-10-08	5/8	7/8-14	1/2-14	1.230	31.24	1.420	36.07	1 1/16	1.062	26.97		•	•	
C2502-12-12	3/4	1 1/16-12	3/4-14	1.360	34.54	1.580	40.13	1 5/16	1.312	33.32		•	•	
C2502-16-16	1	1 5/16-12	1-11 1/2	1.620	41.15	1.730	43.94	1 5/8	1.625	41.27		•	•	
C2502-20-20	1 1/4	1 5/8-12	1 1/4-11 1/2	1.700	43.18	2.080	52.83	1 7/8	1.875	47.62		•	•	
C2502-24-24	1 1/2	1 7/8-12	1 1/2-11 1/2	2.080	52.83	2.580	65.53	1 1/2	2.500	63.50		•	•	

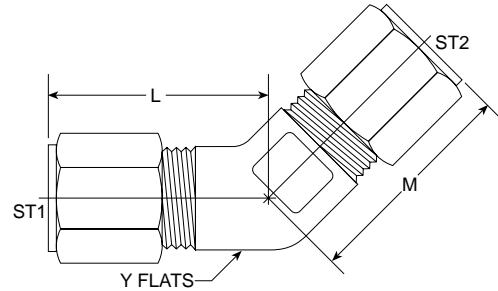
BT-MP Elbow 45° C2503 Series

SAE# 080302 / MS# 51817



PART NO. SIZE	TUBE O.D.	B1 THREAD	A2 NPTF	L LGTH	M.M.	M LGTH	M.M.	Y FLATS	Y FLATS	M.M.	Standard Material From Stock			
											S	FG	SS	B
C2503-04-02	1/4	7/16-20	1/8-27	0.640	16.26	0.700	17.78	7/16	0.438	11.12		•	•	
C2503-04-04	1/4	7/16-20	1/4-18	0.860	21.84	0.810	20.57	9/16	0.562	14.27		•	•	
C2503-06-04	3/8	9/16-18	1/4-18	0.860	21.84	0.830	21.08	9/16	0.562	14.27		•	•	
C2503-06-06	3/8	9/16-18	3/8-18	0.950	24.13	0.830	21.08	3/4	0.750	19.05		•	•	
C2503-06-08	3/8	9/16-18	1/2-14	1.170	29.72	0.900	22.86	7/8	0.875	22.22		•	•	
C2503-08-06	1/2	3/4-16	3/8-18	0.950	24.13	0.980	24.89	3/4	0.750	19.05		•	•	
C2503-08-08	1/2	3/4-16	1/2-14	1.170	29.72	0.980	24.89	7/8	0.875	22.22		•	•	
C2503-08-12	1/2	3/4-16	3/4-14	1.200	30.48	1.120	28.45	1 1/16	1.062	26.97		•	•	
C2503-10-06	5/8	7/8-14	3/8-18	0.980	24.89	1.080	27.43	7/8	0.875	22.22		•	•	
C2503-10-08	5/8	7/8-14	1/2-14	1.170	29.72	1.080	27.43	7/8	0.875	22.22		•	•	
C2503-12-08	3/4	1 1/16-12	1/2-14	1.200	30.48	1.270	32.26	1 1/16	1.062	26.97		•	•	
C2503-12-12	3/4	1 1/16-12	3/4-14	1.200	30.48	1.270	32.26	1 1/16	1.062	26.97		•	•	
C2503-16-16	1	1 5/16-12	1-11 1/2	1.480	37.59	1.360	34.54	1 5/16	1.312	33.32		•	•	
C2503-20-20	1 1/4	1 5/8-12	1 1/4-11 1/2	1.670	42.42	1.450	36.83	1 5/8	1.625	41.27		•	•	

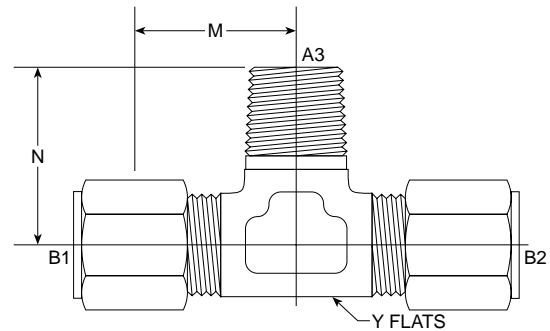
BT-BT Elbow 45° C2504 Series



PART NO. SIZE	TUBE O.D.	ST1 THREAD	ST2 NPTF	L LGTH M.M.	M LGTH M.M.	Y FLATS	Y FLATS	M.M.	Standard Material From Stock					
									S	FG	SS	B		
NEW C2504-12-12														
NEW C2504-16-16														
NEW C2504-20-20														

BT-BT-MP Tee C2601 Series

SAE# 080425 / MS# 51818

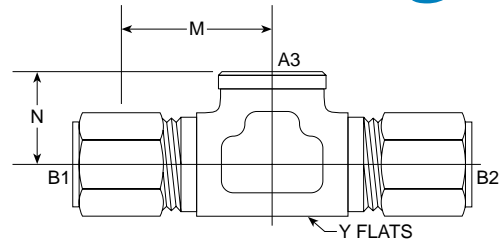


PART NO. SIZE	TUBE O.D.	B1 THREAD	B2 THREAD	A3 NPTF	M LGTH M.M.	N LGTH M.M.	Y FLATS	Y FLATS	M.M.	Standard Material From Stock					
										S	FG	SS	B		
C2601-02-02-02	1/8	5/16-24	5/16-25	1/8-27	0.780	19.81	0.720	18.29	7/16	0.438	11.12				
C2601-04-04-02	1/4	7/16-20	7/16-20	1/8-27	0.890	22.61	0.780	19.81	7/16	0.438	11.12		•	•	
C2601-04-04-04	1/4	7/16-20	6/16-20	1/4-18	1.030	26.16	1.090	27.69	9/16	0.562	14.27		•	•	
C2601-05-05-02	5/16	1/2-20	1/2-20	1/8-27	0.950	24.13	0.810	20.57	9/16	0.562	14.27		•	•	
C2601-06-06-04	3/8	9/16-18	9/16-18	1/4-18	1.050	26.67	1.090	27.69	9/16	0.562	14.27		•	•	
C2601-06-06-06	3/8	9/16-18	9/16-18	3/8-18	1.140	28.96	1.220	30.99	3/4	0.750	19.05		•	•	
C2601-08-08-06	1/2	3/4-16	3/4-16	3/8-18	1.250	31.75	1.220	30.99	3/4	0.750	19.05		•	•	
C2601-08-08-08	1/2	3/4-16	3/4-16	1/2-14	1.340	34.04	1.470	37.34	3/4	0.750	19.05		•	•	
C2601-10-10-08	5/8	7/8-14	7/8-14	1/2-14	1.420	36.07	1.470	37.34	7/8	0.875	22.22		•	•	
C2601-12-12-12	3/4	1 1/16-12	1 1/16-12	3/4-14	1.580	40.13	1.590	40.39	1 1/16	1.062	26.97		•	•	
C2601-16-16-16	1	1 5/16-12	1 5/16-12	1-11 1/2	1.730	43.94	1.970	50.04	1 5/16	1.312	33.32		•	•	

Flareless Bite Type Fittings

BT-BT-FP Tee C2602 Series

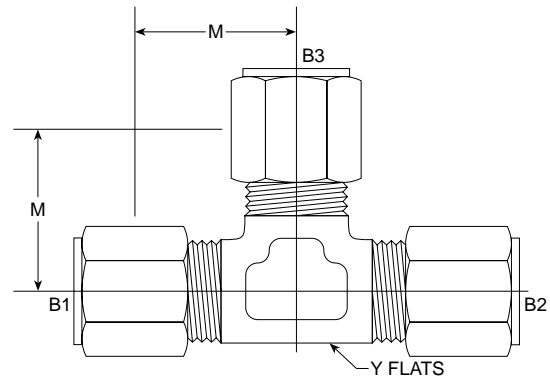
SAE# 080427 / MS# 51821



PART NO. SIZE	TUBE O.D.	B1 THREAD	B2 THREAD	A3 NPTF	M		N LGTH	Y FLATS	Y FLATS	M.M.	Standard Material From Stock				
					LGTH	M.M.					S	FG	SS	B	
C2602-04-04-02	1/4	7/16-20	7/16-20	1/8-27	0.890	22.61	0.660	16.76	9/16	0.562	14.27		•	•	
C2602-04-04-04	1/4	7/16-20	7/16-20	1/4-18	1.030	26.16	0.880	22.35	3/4	0.750	19.05		•	•	
C2602-06-06-04	3/8	9/16-18	9/16-18	1/4-18	1.050	26.67	0.880	22.35	3/4	0.750	19.05		•	•	
C2602-08-08-06	1/2	3/4-16	3/4-16	3/8-18	1.230	31.24	1.020	25.91	7/8	0.875	22.22		•	•	
C2602-08-08-08	1/2	3/4-16	3/4-16	3/4-16	1.350	34.29	1.230	31.24	1 1/16	1.062	26.97		•	•	
C2602-10-10-08	5/8	7/8-14	7/8-14	1/2-14	1.420	36.07	1.230	31.24	1 1/16	1.062	26.97		•	•	
C2602-12-12-12	3/4	1 1/16-12	1 1/16-12	3/4-14	1.580	40.13	1.360	34.54	1 5/16	1.312	33.32		•	•	
C2602-16-16-16	1	1 5/16-12	1 5/16-12	1-11 1/2	1.730	43.94	1.620	41.15	1 5/8	1.625	41.27		•	•	
C2602-20-20-20	1 1/4	1 5/8-12	1 5/8-12	1 1/4-11 1/2	2.080	52.83	1.700	43.18	1 7/8	1.875	47.62		•	•	

BT-BT-BT Tee C2603 Series

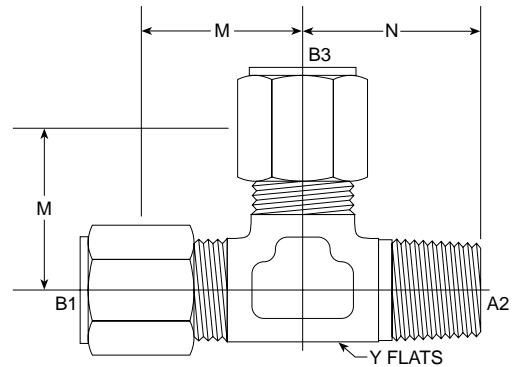
SAE# 080401 / MS# 51811



PART NO. SIZE	TUBE O.D.	B1 THREAD	B2 THREAD	B3 THREAD	M		Y FLATS	Y FLATS	M.M.	Standard Material From Stock				
					LGTH	M.M.				S	FG	SS	B	
C2603-02-02-02	1/8	5/16-24	5/16-24	5/16-24	0.770	19.56	5/16	0.312	7.92		•	•		
C2603-03-03-03	3/16	3/8-24	3/8-24	3/8-24	0.840	21.34	7/16	0.438	11.12		•	•		
C2603-04-04-04	1/4	7/16-20	7/16-20	7/16-20	0.890	22.61	7/16	0.438	11.12		•	•		
C2603-05-05-05	5/16	1/2-20	1/2-20	1/2-20	0.950	24.13	9/16	0.562	14.27		•	•		
C2603-06-06-06	3/8	9/16-18	9/16-18	9/16-18	1.050	26.67	9/16	0.562	14.27		•	•		
C2603-08-08-08	1/2	3/4-16	3/4-16	3/4-16	1.250	31.75	3/4	0.750	19.05		•	•		
C2603-10-10-10	5/8	7/8-14	7/8-14	7/8-14	1.420	36.07	7/8	0.875	22.22		•	•		
C2603-12-12-12	3/4	1 1/16-12	1 1/16-12	1 1/16-12	1.580	40.13	1 1/16	1.062	26.97		•	•		
NEW C2603-14-14-14												•	•	
C2603-16-16-16	1	1 5/16-12	1 5/16-12	1 5/16-12	1.730	43.94	1 5/16	1.312	33.32		•	•		
NEW C2603-20-20-16												•	•	
C2603-20-20-20	1 1/4	1 5/8-12	1 5/8-12	1 5/8-12	1.890	48.01	1 5/8	1.625	41.27		•	•		
C2603-24-24-24	1 1/2	1 7/8-12	1 7/8-12	1 7/8-12	2.020	51.31	1 7/8	1.875	47.62		•	•		
C2603-32-32-32	2	2 1/2-12	2 1/2-12	2 1/2-12	2.450	62.23	2 1/2	2.500	63.50		•	•		

BT-MP-BT Tee C2605 Series

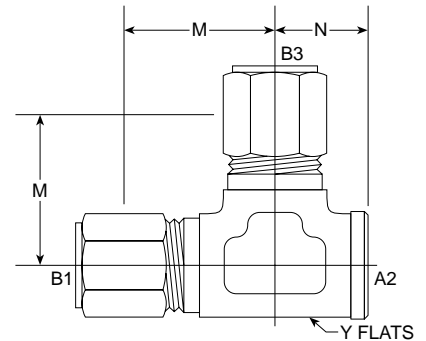
SAE# 080424 / MS# 51824



PART NO. SIZE	TUBE O.D.	B1 THREAD	A2 NPTF	B3 THREAD	M		N		Y FLATS	Y FLATS	M.M.	Standard Material From Stock			
					LGTH	M.M.	LGTH	M.M.				S	FG	SS	B
C2605-04-02-04	1/4	7/16-20	1/8-27	7/16-20	0.890	22.62	0.780	19.81	7/16	0.438	11.12		•	•	
C2605-04-04-04	1/4	7/16-20	1/4-18	7/16-20	1.030	26.16	1.090	28.69	9/16	0.562	14.27		•	•	
C2605-05-02-05	5/16	1/2-20	1/8-27	1/2-20	0.950	24.13	0.810	20.57	1/2	0.500	12.70		•	•	
C2605-06-04-06	3/8	9/16-18	1/4-18	9/16-18	1.050	26.67	1.090	27.69	9/16	0.562	14.27		•	•	
C2605-06-06-06	3/8	9/16-18	3/8-18	9/16-18	1.250	31.75	1.270	32.26	3/4	0.750	19.05		•	•	
C2605-08-06-08	1/2	3/4-16	3/8-18	3/4-16	1.250	31.75	1.220	30.99	3/4	0.750	19.05		•	•	
C2605-08-08-08	1/2	3/4-16	1/2-14	3/4-16	1.340	34.04	1.470	37.34	7/8	0.875	22.22		•	•	
C2605-10-08-10	5/8	7/8-14	1/2-14	7/8-14	1.420	36.07	1.470	37.34	7/8	0.875	22.22		•	•	
C2605-12-12-12	3/4	1 1/16-12	3/4-14	1 1/16-12	1.580	40.13	1.590	40.39	1 1/16	1.062	26.97		•	•	
C2605-16-16-16	1	1 5/16-12	1-11 1/2	1 5/16-12	1.730	43.94	1.970	50.04	1 5/16	1.312	33.32		•	•	

BT-FP-BT Tee C2606 Series

SAE# 080426 / MS# 51822

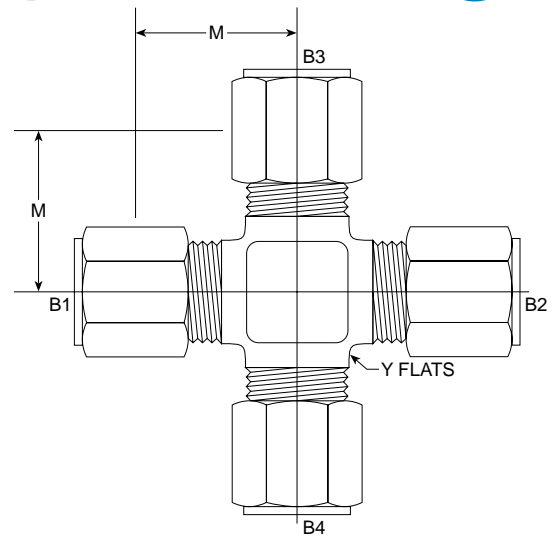


PART NO. SIZE	TUBE O.D.	B1 THREAD	A2 NPTF	B3 THREAD	M		N		Y FLATS	Y FLATS	M.M.	Standard Material From Stock			
					LGTH	M.M.	LGTH	M.M.				S	FG	SS	B
C2606-04-02-04	1/4	7/16-20	1/8-27	7/16-20	0.890	22.61	0.660	16.76	9/16	0.562	14.27		•	•	
C2606-06-04-06	3/8	9/16-18	1/4-18	9/16-18	1.050	26.67	0.880	22.35	3/4	0.750	19.05		•	•	
C2606-08-06-08	1/2	3/4-16	3/8-18	3/4-16	1.230	31.24	1.020	25.91	7/8	0.875	22.22		•	•	
C2606-10-08-10	5/8	7/8-14	1/2-14	7/8-14	1.420	36.07	1.230	31.24	1 1/16	1.062	26.97		•	•	
C2606-12-12-12	3/4	1 1/16-12	3/4-14	1 1/16-12	1.580	40.13	1.360	34.54	1 5/16	1.312	33.32		•	•	
C2606-16-16-16	1	1 5/16-12	1-11 1/2	1 5/16-12	1.730	43.94	1.620	41.15	1 5/8	1.625	41.27		•	•	

Flareless Bite Type Fittings

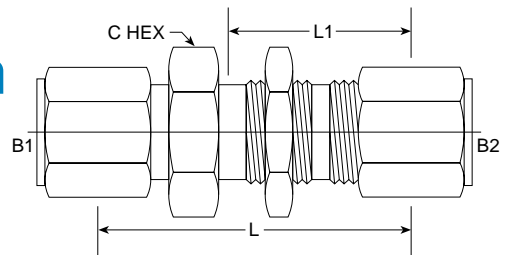
BT-BT-BT-BT Cross C2650 Series

SAE# 080501 / MS# 51894



PART NO. SIZE	TUBE O.D.	B1 THREAD	B2 THREAD	B3 THREAD	B4 THREAD	M LGTH	M.M.	Y FLATS	Y FLATS	M.M.	Standard Material From Stock			
											S	FG	SS	B
C2650-04-04-04-04	1/4	7/16-20	7/16-20	7/16-20	7/16-20	0.890	22.62	7/16	0.438	11.12		•	•	
C2650-06-06-06-06	3/8	9/16-18	9/16-18	9/16-18	9/16-18	1.050	26.67	9/16	0.562	14.27		•	•	
C2650-08-08-08-08	1/2	3/4-16	3/4-16	3/4-16	3/4-16	1.250	31.75	3/4	0.750	19.05		•	•	
C2650-10-10-10-10	5/8	7/8-14	7/8-14	7/8-14	7/8-14	1.420	36.07	7/8	0.875	22.22		•	•	
C2650-16-16-16-16	1	1 5/16-12	1 5/16-12	1 5/16-12	1 5/16-12	1.730	43.94	1 5/16	1.312	33.32			•	
C2650-20-20-20-20	1 1/4	1 5/8-12	1 5/8-12	1 5/8-12	1 5/8-12	1.890	48.01	1 5/8	1.625	41.27			•	
C2650-24-24-24-24	1 1/2	1 7/8-12	1 7/8-12	1 7/8-12	1 7/8-12	2.020	51.31	1 7/8	1.875	47.62			•	
C2650-32-32-32-32	2	2 1/2-12	2 1/2-12	2 1/2-12	2 1/2-12	2.450	62.23	2 1/2	2.500	63.50			•	

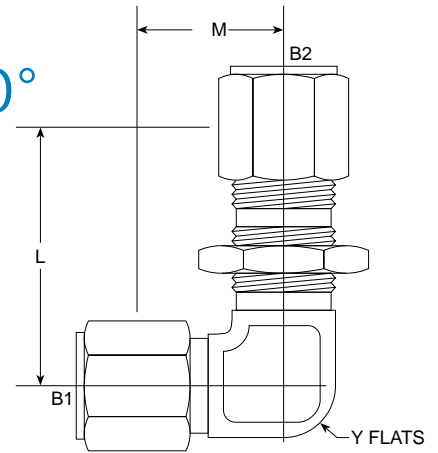
BT-BT Bulkhead Union C2700 Series



PART NO. SIZE	TUBE O.D.	B1 THREAD	B2 THREAD	L LGTH	M.M.	L1 LGTH	M.M.	C HEX	C HEX	M.M.	Standard Material From Stock			
											S	FG	SS	B
C2700-04-04	1/4	7/16-20	7/16-20	1.130	28.70	1.890	48.01	11/16	0.688	17.47	•		•	
C2700-06-06	3/8	9/16-18	9/16-18	1.170	29.72	1.980	50.29	13/16	0.812	20.62	•		•	
C2700-08-08	1/2	3/4-16	3/4-16	1.310	33.27	2.220	56.39	1	1.000	25.40	•		•	
C2700-10-10	5/8	7/8-14	7/8-14	1.450	36.83	2.480	62.99	1 1/8	1.125	28.57	•		•	
C2700-12-12	3/4	1 1/16-12	1 1/16-12	1.560	39.62	2.720	69.09	1 3/8	1.375	34.92	•		•	
C2700-16-16	1	1 5/16-12	1 5/16-12	1.560	39.62	2.720	69.09	1 5/8	1.625	41.27			•	

BT-BT Bulkhead Union 90° C2701 Series

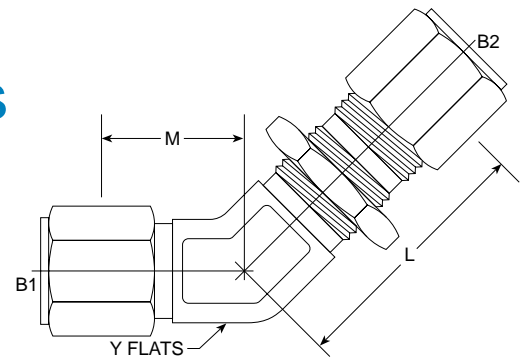
SAE# 080701 / MS# 51855



PART NO. SIZE	TUBE O.D.	B1 THREAD	B2 THREAD	L LGTH	M.M.	M LGTH	M.M.	Y FLATS	Y FLATS	M.M.	Standard Material From Stock			
											S	FG	SS	B
C2701-03-03	3/16	3/8-24	3/8-24	1.410	35.81	0.920	23.37	7/16	0.438	11.12			•	
C2701-04-04	1/4	7/16-20	7/16-20	1.520	38.61	0.950	24.13	7/16	0.438	11.12			•	
C2701-06-06	3/8	9/16-18	9/16-18	1.700	43.18	1.080	27.43	9/16	0.562	14.27			•	
C2701-08-08	1/2	3/4-16	3/4-16	1.970	50.04	1.330	33.78	3/4	0.750	19.05			•	
C2701-10-10	5/8	7/8-14	7/8-14	2.270	57.66	1.520	38.61	7/8	0.875	22.22			•	
C2701-12-12	3/4	1 1/16-12	1 1/16-12	2.480	62.99	1.640	41.66	1 1/16	1.062	26.97			•	
C2701-16-16	1	1 5/16-12	1 5/16-12	2.610	66.29	1.730	43.94	1 5/16	1.312	33.32			•	
C2701-20-20	1 1/4	1 5/8-12	1 5/8-12	2.890	73.41	2.020	51.31	1 5/8	1.625	41.27			•	

BT-BT Bulkhead Union 45° C2702 Series

SAE# 080801

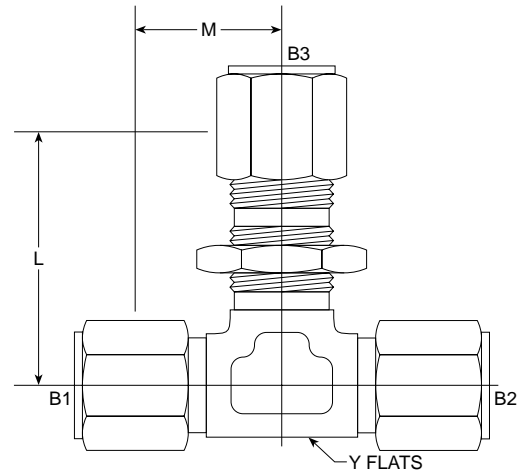


PART NO. SIZE	TUBE O.D.	B1 THREAD	B2 THREAD	L LGTH	M.M.	M LGTH	M.M.	Y FLATS	Y FLATS	M.M.	Standard Material From Stock			
											S	FG	SS	B
C2702-04-04	1/4	7/16-20	7/16-20	1.450	36.83	0.700	17.78	7/16	0.438	11.12			•	
C2702-06-06	3/8	9/16-18	9/16-18	1.560	39.62	0.830	21.08	9/16	0.562	14.27			•	
C2702-08-08	1/2	3/4-16	3/4-16	1.810	45.97	0.980	24.89	3/4	0.750	19.05			•	
C2702-12-12	3/4	1 1/16-12	1 1/16-12	2.250	57.15	1.270	32.26	1 1/16	1.062	26.97			•	

Flareless Bite Type Fittings

BT-BT-BT Bulkhead Branch Tee C2703 Series

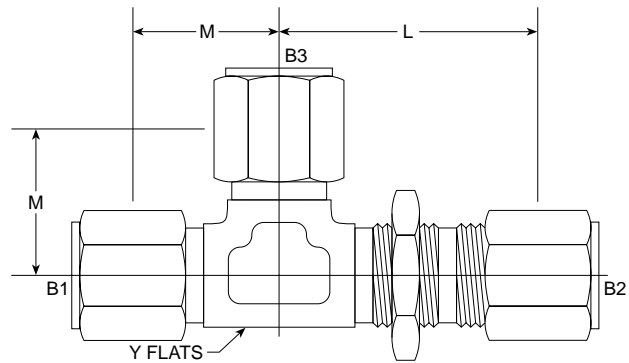
SAE# 080959



PART NO. SIZE	TUBE O.D.	B1 THREAD	B2 THREAD	B3 THREAD	L LGTH	M.M.	M LGTH	M.M.	Y FLATS	Y FLATS	M.M.	Standard Material From Stock			
												S	FG	SS	B
C2703-04-04-04	1/4	7/16-20	7/16-20	7/16-20	1.520	38.61	0.950	24.13	7/16	0.438	11.12			•	
C2703-05-05-05	5/16	1/2-20	1/2-20	1/2-20	1.550	39.37	1.050	26.67	9/16	0.562	14.27			•	
C2703-06-06-06	3/8	9/16-18	9/16-18	8/16-18	1.700	43.18	1.080	27.43	9/16	0.562	14.27			•	
C2703-10-10-10	1/2	3/4-16	3/4-16	3/4-16	1.970	50.04	1.330	33.78	3/4	0.750	19.05			•	
C2703-12-12-12	3/4	1 1/16-12	1 1/16-12	1 1/16-12	2.480	62.99	1.640	41.66	1 1/16	1.062	26.97			•	

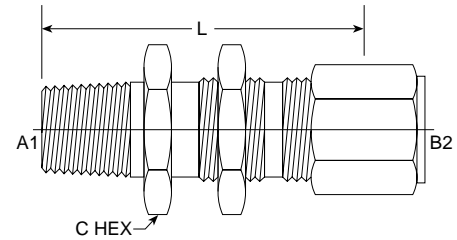
BT-BT-BT Bulkhead Tee C2704 Series

SAE# 080958



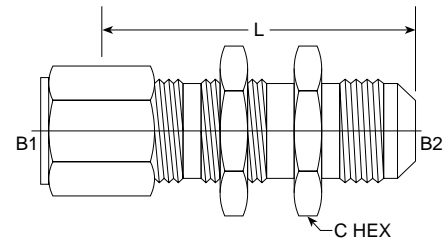
PART NO. SIZE	TUBE O.D.	B1 THREAD	B2 THREAD	B3 THREAD	L LGTH	M.M.	M LGTH	M.M.	Y FLATS	Y FLATS	M.M.	Standard Material From Stock			
												S	FG	SS	B
C2704-04-04-04	1/4	7/16-20	7/16-20	7/16-20	1.520	38.61	0.950	24.13	7/16	0.438	11.12			•	
C2704-06-06-06	3/8	9/16-18	9/16-18	9/16-18	1.700	43.18	1.080	27.43	9/16	0.562	14.27			•	
C2704-08-08-08	1/2	3/4-16	3/4-16	3/4-16	1.970	50.04	1.330	33.78	3/4	0.750	19.05			•	
C2704-12-12-12	3/4	1 1/16-12	1 1/16-12	1 1/16-12	2.480	62.99	1.640	41.66	1 1/16	1.062	26.97			•	

BT-MP Bulkhead C2706 Series



PART NO. SIZE	TUBE O.D.	A1 THREAD	B2 THREAD	L LGTH	M.M.	C HEX	C HEX	M.M.	Standard Material From Stock			
									S	FG	SS	B
C2706-02-04	1/4	1/8-27	7/16-20	1.820	46.23	11/16	0.688	17.45			•	
C2706-04-04	1/4	1/4-18	7/16-20	2.080	52.83	3/4	0.750	19.05			•	
C2706-04-06	3/8	1/4-18	9/16-18	2.100	53.34	13/16	0.812	20.62			•	
C2706-06-06	3/8	3/8-18	9/16-18	2.140	54.36	13/16	0.812	20.62			•	
C2706-08-06	1/2	3/8-18	3/4-16	2.300	58.42	1	1.000	25.40			•	
C2706-08-08	1/2	1/2-14	3/4-16	2.560	65.02	1	1.000	25.40			•	
C2706-12-12	3/4	3/4-14	1 1/16-12	2.760	70.10	1 3/8	1.375	34.92			•	
C2706-16-16	1	1-11 1/2	1 5/16-12	3.100	78.74	1 5/8	1.625	41.27			•	

BT-MJ Bulkhead C2707 Series

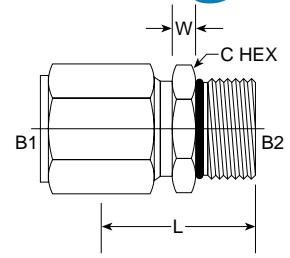


PART NO. SIZE	TUBE O.D.	B1 THREAD	B2 THREAD	L LGTH	M.M.	C HEX	C HEX	M.M.	Standard Material From Stock			
									S	FG	SS	B
C2707-04-04	1/4	7/16-20	7/16-20	1.940	49.28	11/16	0.688	17.45			•	
C2707-06-06	3/8	9/16-18	9/16-18	2.080	52.83	13/16	0.812	20.62			•	
C2707-08-08	1/2	3/4-16	3/4-16	2.310	58.67	1	1.000	25.40			•	
C2707-12-12	3/4	1 1/16-12	1 1/16-12	2.940	74.68	1 3/8	1.375	34.92			•	
C2707-16-16	1	1 5/16-12	1 5/16-12	2.950	74.93	1 5/8	1.625	41.27			•	

Flareless Bite Type Fittings

BT-MORB C6400-O Series

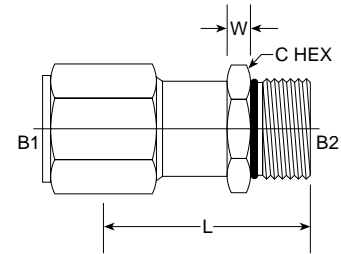
SAE# 080120 / MS# 51843



PART NO. SIZE	TUBE/PORT	B1 THREAD	B2 THREAD	L LGTH	M.M.	W WIDTH	M.M.	C HEX	C HEX	M.M.	Standard Material From Stock			
											S	FG	SS	B
C6400-02-02-O	1/8	5/16-12	5/16-12	0.990	25.15	0.280	7.11	7/16	0.438	11.12			•	
C6400-03-03-O	3/8	3/8-24	3/8-24	1.040	26.42	0.280	7.11	1/2	0.500	12.70	•			
C6400-04-04-O	1/4	7/16-20	7/16-20	1.130	28.70	0.280	7.11	9/16	0.562	14.27	•			
C6400-04-05-O	1/4 5/16	7/16-20	1/2-20	1.130	28.70	0.280	7.11	5/8	0.625	15.87	•		•	
C6400-04-06-O	1/4 3/8	7/16-20	9/16-18	1.200	30.48	0.280	7.11	11/16	0.688	17.47	•		•	
C6400-05-05-O	5/16	1/2-20	1/2-20	1.130	28.70	0.280	7.11	5/8	0.625	15.87	•		•	
C6400-06-04-O	3/8 1/4	9/16-18	7/16-20	1.180	29.97	0.340	8.64	5/8	0.625	15.87			•	
C6400-06-05-O	3/8 5/16	9/16-18	1/2-20	1.180	29.97	0.340	8.64	11/16	0.688	17.47			•	
C6400-06-06-O	3/8	9/16-18	9/16-18	1.210	30.73	0.340	8.64	11/16	0.688	17.47	•		•	
C6400-06-08-O	3/8 1/2	9/16-18	3/4-16	1.290	32.77	0.340	8.64	7/8	0.875	22.22	•		•	
C6400-08-06-O	1/2 3/8	3/4-16	9/16-18	1.340	34.04	0.340	8.64	13/16	0.812	20.62			•	
C6400-08-08-O	1/2	3/4-16	3/4-16	1.380	35.05	0.340	8.64	7/8	0.875	22.22	•		•	
C6400-08-10-O	1/2 5/8	3/4-16	7/8-14	1.510	38.35	0.400	10.16	1	1.000	25.40	•		•	
C6400-08-12-O	1/2 3/4	3/4-16	1 1/16-12	1.670	42.42	0.470	11.94	1 1/4	1.250	31.75	•		•	
C6400-10-10-O	5/8	7/8-14	7/8-14	1.570	39.88	0.400	10.16	1	1.000	25.40	•		•	
C6400-12-08-O	3/4 1/2	1 1/16-12	3/4-16	1.750	44.45	0.470	11.94	1 1/8	1.125	28.57	•		•	
C6400-12-12-O	3/4	1 1/16-12	1 1/16-12	1.790	45.47	0.470	11.94	1 1/4	1.250	31.75	•		•	
C6400-12-16-O	3/4 1	1 1/16-12	1 5/16-12	1.820	46.23	0.500	12.70	1 1/2	1.500	38.10	•		•	
C6400-16-12-O	1 3/4	1 5/16-12	1 5/16-12	1.820	46.23	0.500	12.70	1 1/2	1.500	38.10	•		•	
C6400-16-16-O	1	1 5/16-12	1 5/16-12	1.820	46.23	0.500	12.70	1 1/2	1.500	38.10	•		•	
C6400-20-20-O	1 1/4	1 5/8-12	1 5/8-12	1.900	48.26	0.580	14.73	1 7/8	1.875	47.62	•		•	
C6400-24-24-O	1 1/2	1 1/2-12	1 1/2-12	1.970	50.04	0.580	14.73	2 1/8	2.125	53.97	•		•	
C6400-32-32-O	2	1 1/2-12	1 1/2-12	2.130	54.10	0.650	16.50	2 3/4	2.750	69.85	•		•	

BT-MORB Long C6400-L-O Series

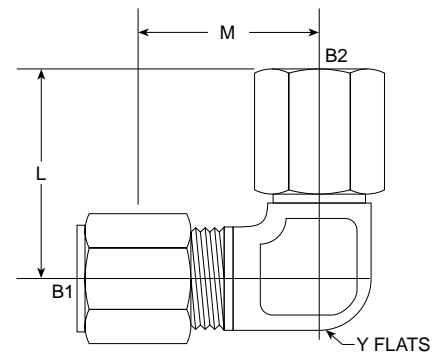
SAE# 080122



PART NO. SIZE	TUBE/PORT	B1 THREAD	B2 THREAD	L LGTH	M.M.	W WIDTH	M.M.	C HEX	C HEX	M.M.	Standard Material From Stock			
											S	FG	SS	B
C6400-L-04-O	1/4	7/16-20	7/16-20	2.020	51.31	0.280	7.11	9/16	0.562	14.27	•			
C6400-L-06-O	3/8	9/16-18	9/16-18	2.230	56.64	0.340	8.64	11/16	0.688	17.47	•		•	
C6400-L-08-O	1/2	3/4-16	3/4-16	2.620	66.55	0.340	8.64	7/8	0.875	22.22	•		•	
C6400-L-10-O	5/8	7/8-14	7/8-14	2.980	75.69	0.400	10.16	1	1.000	25.40			•	
C6400-L-12-O	3/4	1 1/16-12	1 1/16-12	3.530	89.66	0.470	11.94	1 1/4	1.250	31.75			•	
C6400-L-16-O	1	1 5/16-12	1 5/16-12	3.910	99.31	0.500	12.70	1 1/2	1.500	38.10			•	

BT-BTS 90° C6500 Series

SAE# 080221 / MS# 51852

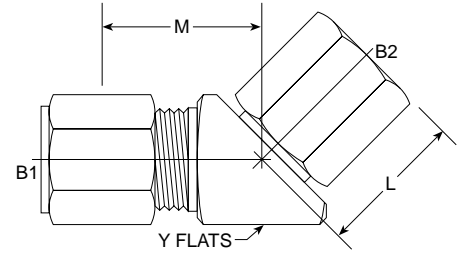


PART NO. SIZE	TUBE O.D.	B1 THREAD	B2	L LGTH	M.M.	M LGTH	M.M.	Y FLATS	Y FLATS	M.M.	Standard Material From Stock			
											S	FG	SS	B
C6500-04-04	1/4	7/16-20	7/16-20	0.890	22.61	0.890	22.61	7/16	0.438	11.12			•	
C6500-06-06	3/8	9/16-18	9/16-18	1.050	26.67	1.050	26.67	9/16	0.562	14.27			•	
C6500-08-08	1/2	3/4-16	3/4-16	1.230	31.24	1.250	31.75	3/4	0.750	19.05			•	
C6500-10-10	5/8	7/8-14	7/8-14	1.420	36.07	1.420	36.07	7/8	0.875	22.22			•	
C6500-12-12	3/4	1 1/16-12	1 1/16-12	1.580	40.13	1.580	40.13	1 1/16	1.062	26.97			•	
C6500-16-16	1	1 5/16-12	1 5/16-12	1.730	43.94	1.730	43.94	1 5/16	1.312	33.32			•	
C6500-20-20	1 1/4	1 5/8-12	1 5/8-12	1.890	48.01	1.890	48.01	1 5/8	1.625	41.27			•	

Flareless Bite Type Fittings

BT-BTS 45° C6502 Series

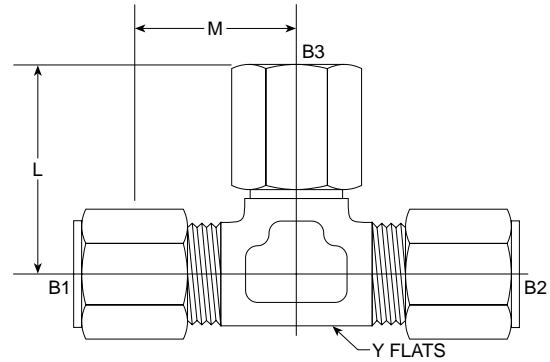
SAE# 080321



PART NO. SIZE	TUBE O.D.	B1 THREAD	B2	L LGTH	M.M.	M LGTH	M.M.	Y FLATS	Y FLATS	M.M.	Standard Material From Stock			
											S	FG	SS	B
C6502-04-04	1/4	7/16-20	7/16-20	0.980	24.89	0.700	17.78	7/16	0.438	11.12			•	
C6502-06-06	3/8	9/16-18	9/16-18	1.200	30.48	0.830	21.08	9/16	0.562	14.27			•	
C6502-08-08	1/2	3/4-16	3/4-16	1.330	33.78	0.980	24.89	3/4	0.750	19.05			•	
C6502-12-12	3/4	1 1/16-12	1 1/16-12	1.610	40.89	1.270	32.26	1 1/16	1.062	26.97			•	
C6502-16-16	1	1 5/16-12	1 5/16-12	1.700	43.18	1.360	34.54	1 5/16	1.312	33.32			•	
C6502-20-20	1 1/4	1 5/8-12	1 5/8-12	1.800	45.72	1.450	36.83	1 5/8	1.625	41.27			•	
C6502-24-24	1 1/2	1 7/8-12	1 7/8-12	1.920	48.77	1.520	38.61	1 7/8	1.875	47.62			•	

BT-BT-BTS Tee C6600 Series

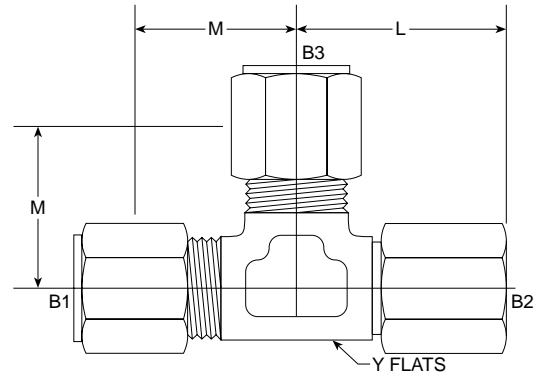
SAE# 080433 / MS# 51853



PART NO. SIZE	TUBE O.D.	B1 THREAD	B2 THREAD	B3	L LGTH	M.M.	M LGTH	M.M.	Y FLATS	Y FLATS	M.M.	Standard Material From Stock			
												S	FG	SS	B
C6600-04-04-04	1/4	7/16-20	7/16-20	7/16-20	1.050	26.67	0.890	22.61	7/16	0.438	11.12			•	
C6600-06-06-06	3/8	9/16-18	9/16-18	9/16-18	1.280	32.50	1.050	26.67	9/16	0.562	14.27			•	
C6600-08-08-08	1/2	3/4-16	3/4-16	3/4-16	1.470	37.34	1.250	31.75	3/4	0.750	19.05			•	
C6600-12-12-12	3/4	1 1/16-12	1 1/16-12	1 1/16-12	1.770	45.96	1.580	40.13	1 1/16	1.062	26.97			•	

BT-BTS-BT Tee C6602 Series

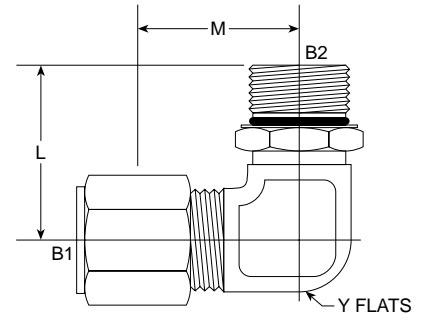
SAE# 080432 / MS# 51854



PART NO. SIZE	TUBE O.D.	B1 THREAD	B2	B3 THREAD	L LGTH	M.M.	M LGTH	M.M.	Y FLATS	Y FLATS	M.M.	Standard Material From Stock			
												S	FG	SS	B
C6602-04-04-04	1/4	7/16-20	7/16-20	7/16-20	1.050	26.67	0.890	22.61	7/16	0.438	11.12				•
C6602-06-06-06	3/8	9/16-18	9/16-18	9/16-18	1.280	32.52	1.050	26.67	9/16	0.562	14.27				•
C6602-08-08-08	1/2	3/4-16	3/4-16	3/4-16	1.470	37.34	1.250	31.75	3/4	0.750	19.05				•
C6602-12-12-12	3/4	1 1/16-12	1 1/16-12	1 1/16-12	1.770	44.96	1.580	40.13	1 1/16	1.062	26.97				•
C6602-16-16-16	1	1 5/16-12	1 5/16-12	1 5/16-12	1.860	47.24	1.730	43.94	1 5/16	1.312	33.32				•

BT-MAORB 90° C6801-NWO Series

SAE# 080220 / MS# 51839

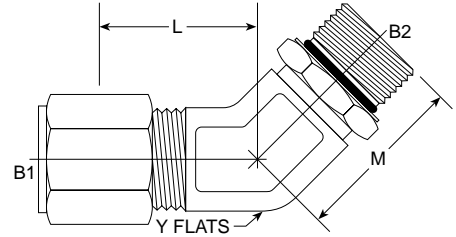


PART NO. SIZE	TUBE O.D.	B1 THREAD	B2 ORB	L LGTH	M.M.	M LGTH	M.M.	Y FLATS	Y FLATS	M.M.	Standard Material From Stock			
											S	FG	SS	B
C6801-03-03-NWO	3/16	3/8-24	3/16-24	0.940	23.88	0.830	21.08	7/16	0.438	11.12				•
C6801-04-04-NWO	1/4	7/16-20	7/16-20	1.030	26.16	0.890	22.61	7/16	0.438	11.12		•	•	
C6801-05-05-NWO	5/16	1/2-20	1/2-20	1.130	28.70	0.950	24.13	1/2	0.500	12.70		•	•	
NEW C6801-06-04-NWO														
C6801-06-06-NWO	3/8	9/16-18	9/16-18	1.250	31.75	1.060	26.92	9/16	0.562	14.27		•	•	
C6801-06-08-NWO	3/8	9/16-18	3/4-16	1.450	36.83	1.150	29.21	3/4	0.750	19.05		•	•	
C6801-08-06-NWO	1/2	3/4-16	9/16-18	1.330	33.78	1.250	31.75	3/4	0.750	19.05		•	•	
C6801-08-08-NWO	1/2	3/4-16	3/4-16	1.450	36.83	1.250	31.75	3/4	0.750	19.05		•	•	
C6801-08-10-NWO	1/2	3/4-16	7/8-14	1.700	43.18	1.340	34.04	7/8	0.875	22.22		•	•	
C6801-08-12-NWO	1/2	3/4-16	1 1/16-12	1.940	49.27	1.410	35.81	1 1/16	1.062	26.97		•	•	
C6801-10-10-NWO	5/8	7/8-14	7/8-14	1.700	43.18	1.420	36.07	7/8	0.875	22.22		•	•	
C6801-12-08-NWO	3/4	1 1/16-12	3/4-16	1.640	41.66	1.580	40.13	1 1/16	1.062	26.97		•	•	
C6801-12-10-NWO	3/4	1 1/16-12	7/8-14	1.780	45.21	1.580	40.13	1 1/16	1.062	26.97		•	•	
C6801-12-12-NWO	3/4	1 1/16-12	1 1/16-12	1.940	49.28	1.580	40.13	1 1/16	1.062	26.97		•	•	
C6801-12-16-NWO	3/4	1 1/16-12	1 5/16-12	2.050	52.07	1.730	43.94	1 5/16	1.312	33.32		•	•	
C6801-16-12-NWO	1	1 5/16-12	1 5/16-12	2.050	52.07	1.730	43.94	1 5/16	1.312	33.32		•	•	
C6801-16-16-NWO	1	1 5/16-12	1 5/16-12	2.050	52.07	1.730	43.94	1 5/16	1.312	33.32		•	•	
NEW C6801-20-20-NWO														
NEW C6801-24-24-NWO														

Flareless Bite Type Fittings

BT-MAORB 45° C6802-NWO Series

SAE# 080320 / MS# 51842

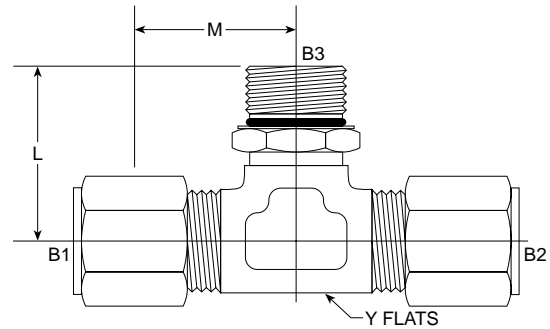


NEW

PART NO. SIZE	TUBE O.D.	B1 THREAD	B2 ORB	L LGTH	M.M.	M LGTH	M.M.	Y FLATS	Y FLATS	M.M.	Standard Material From Stock			
											S	FG	SS	B
C6802-04-04-NWO	1/4	7/16-20	7/16-20	1.050	26.67	0.700	17.78	7/16	0.438	11.12		•	•	
C6802-06-06-NWO	3/8	9/16-18	9/16-18	1.140	28.96	0.830	21.08	9/16	0.562	14.27		•	•	
C6802-08-08-NWO	1/2	3/4-16	3/4-16	1.300	33.02	0.980	24.89	3/4	0.750	19.05		•	•	
C6802-10-10-NWO												•	•	
C6802-12-12-NWO	3/4	1 1/16-12	1 1/16-12	1.730	43.94	1.270	32.26	1 1/16	1.062	26.97		•	•	
C6802-16-16-NWO	1	1 5/16-12	1 5/16-12	1.860	47.24	1.360	35.54	1 5/16	1.312	33.32		•	•	

BT-BT-MAORB Tee C6803-NWO Series

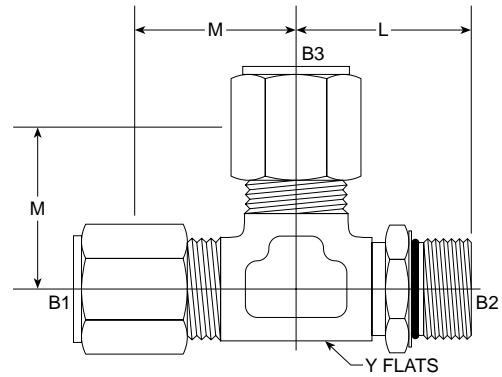
SAE# 080429 / MS# 51841



PART NO. SIZE	TUBE O.D.	B1 THREAD	B2 THREAD	B3 ORB	L LGTH	M.M.	M LGTH	M.M.	Y FLATS	Y FLATS	M.M.	Standard Material From Stock			
												S	FG	SS	B
C6803-04-04-04-NWO	1/4	7/16-20	7/16-20	7/16-20	1.030	26.16	0.890	22.61	7/16	0.438	11.12		•	•	
C6803-06-06-06-NWO	3/8	9/16-18	9/16-18	9/16-18	1.250	31.75	1.050	26.67	9/16	0.562	14.27		•	•	
C6803-08-08-08-NWO	1/2	3/4-16	3/4-16	3/4-16	1.450	36.83	1.250	31.75	3/4	0.750	19.05		•	•	
C6803-12-12-12-NWO	3/4	1 1/16-12	1 1/16-12	1 1/16-12	1.940	49.28	1.580	40.13	1 1/16	1.062	26.97		•	•	
C6803-16-16-16-NWO	1	1 5/16-12	1 5/16-12	1 5/16-12	2.050	52.07	1.730	43.94	1 5/16	1.312	33.32		•	•	

BT-MAORB-BT Tee C6804-NWO Series

SAE # 080428 / MS # 51892



PART NO. SIZE	TUBE O.D.	B1 THREAD	B2 ORB	B3 THREAD	L LGTH	M.M.	M LGTH	M.M.	Y FLATS	Y FLATS	M.M.	Standard Material From Stock			
												S	FG	SS	B
C6804-04-04-04-NWO	1/4	7/16-20	7/16-20	7/16-20	1.030	26.16	0.890	22.61	7/16	0.438	11.12		•	•	
C6804-06-06-06-NWO	3/8	9/16-18	9/16-18	9/16-18	1.250	31.75	1.050	26.67	9/16	0.562	14.27		•	•	
C6804-08-08-08-NWO	1/2	3/4-16	3/4-16	3/4-16	1.450	36.83	1.250	31.75	3/4	0.750	19.05		•	•	
C6804-10-10-10-NWO	5/8	7/8-14	7/8-14	7/8-14	1.700	43.18	1.430	36.32	7/8	0.875	22.22		•	•	
C6804-12-12-12-NWO	3/4	1 1/16-12	1 1/16-12	1 1/16-12	1.940	49.28	1.580	40.13	1 1/16	1.062	26.97		•	•	
C6804-16-16-16-NWO	1	1 5/16-12	1 5/16-12	1 5/16-12	2.050	52.07	1.730	43.94	1 5/16	1.312	33.32			•	